









# JUNG PUMPEN OVERVIEW

## POLY SUMPS

### POLY-SUMPS

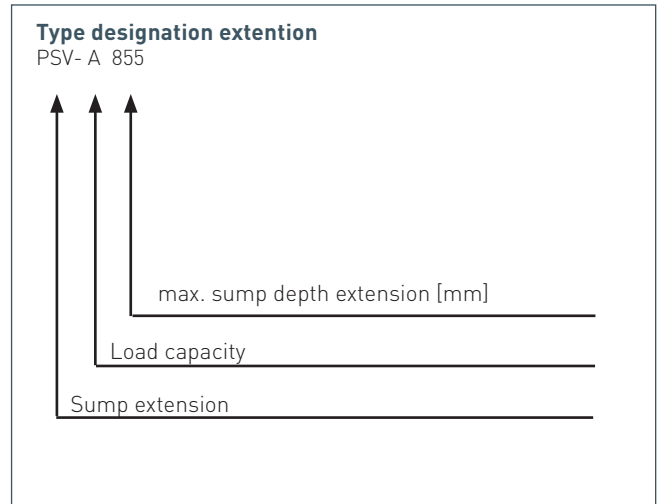
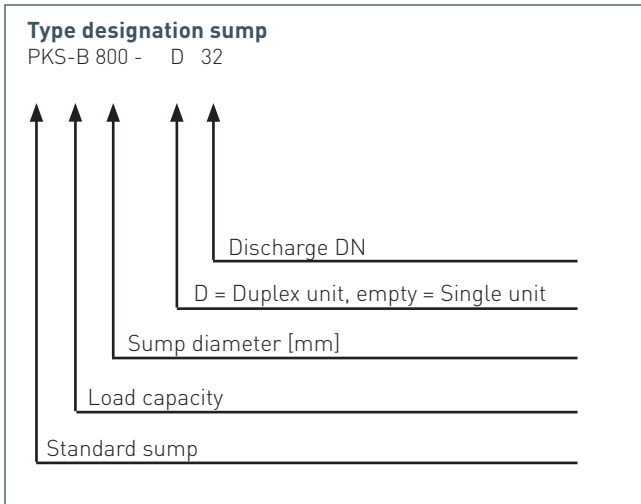
|   |  | MultiCut   | MultiStream   | MultiFree   |
|---|--|--|---|---|
|   |  |  |  |  |
|    | <b>PKS 800</b>   |  |   |   |
|   | DN32<br>DN80   | •  |   | •   |
|    | <b>PKS 1000</b>  |  |   |   |
|   | DN40<br>DN65<br>DN80   | •  | •   | •   |
|   |  | <b>PKS 1500</b>  |   |   |
| DN40<br>DN80<br>DN100   |  | •  | •   | •   |
|  |  | <b>PKS-D 1000 DLE Replacement Set</b>  |   |   |
|   | DN100<br>DN32  |  |   |   |

### PIPE WORK

|   |                  | MultiCut | MultiStream | MultiFree |
|---|------------------|----------|-------------|-----------|
|  | <b>Pipe work</b> |          |             |           |
|   | DN40             |          | •           |           |
|   | DN65             |          |             | •         |
|   | DN80             |          |             | •         |
|   | DN100            |          |             | •         |
| DN150   |                  |          | •           |           |

# JUNG PUMPEN OVERVIEW

## POLY SUMPS



### FLUSHING CONNECTION AND ACCESSORIES

| PKS-B<br>System Perrot |   |   |   |   | PKS-B 800 / PKS-B 800 - D32<br>System Perrot |   |   |   |    |    | System Storz C |  |
|------------------------|---|---|---|---|--|---|---|---|----|----|----------------|--|
|                        |   |   |   |   |  |   |   |   |    |    |                |  |
|                        |   |   |   |   |  |   |   |   |    |    |                |  |
| 1                      | 2 | 3 | 4 | 5 | 6  | 7 | 8 | 9 | 10 | 11 |                |  |
|                        |   |   |   |   |  |   |   |   |    |    |                |  |

|   | Description   | Code. No. |
|---|---|-----------|
| A | Perrot flushing connection DN 40, 1½" for PKS-D                     | JP23097   |
| B | Perrot flushing connection DN 40, 1½" for PKS-D                     | JP25794   |
| C | Perrot flushing connection DN 40, 1½" for PKS-B 800 / PKS-B 800-D32 | JP42059   |
| D | Hose coupling C for PKS-B 800 / PKS-B 800-D32                       | JP42060   |

| Accessories for flushing connection |  |         |
|-------------------------------------|--|---------|
| 1                                   | Flush 1" outside                       | JP22466 |
| 2                                   | DRS-connection ½"                      | JP22421 |
| 3                                   | Breathing valve                        | JP22422 |
| 4                                   | DRS-connection with breathing valve ½" | JP22419 |
| 5                                   | Claw coupling                          | JP22420 |
| 6                                   | Bend with hose nozzle Ø 50 mm          | JP19202 |
| 7                                   | Pressure gauge                         | JP44854 |
| 8                                   | Hose coupling C                        | JP41582 |
| 9                                   | Breathing valve                        | JP41583 |
| 10                                  | DRS-connection ½" with breathing valve | JP41584 |
| 11                                  | DRS-connection ¾" with breathing valve | JP41585 |

| Direct connection to pipe assembly DN 32 |  |         |
|--|--|---------|
|  | DRS-connection ½"                      | JP42178 |
|  | Breathing valve                        | JP42179 |
|  | DRS-connection ½" with breathing valve | JP42180 |

## JUNG PUMPEN PKS-B 800

### POLY-SUMP

FOR SUBMERSIBLE SEWAGE PUMPS | WITH PLASTIC VALVES AND GUIDE RAIL

#### APPLICATION

The buoyancy proof sump is supplied as a complete prefabricated pump station for use in pressure drainage systems and as a sewage collection sump for use with gravity sewers. The sumps are equipped with one or two pumps. They are suitable for accessible areas (class A 15) or for traffic areas (class B 125).

Preformed transport eyelets / transport handles provide easy transport and placing into its final position.

A comprehensive range of pumps from the MultiCut sewage pump series 08/2 M to 45/2 M, with or without Ex rating together with control units which have been specially optimised for pressure drainage applications is available to ensure that the pump station meets the required discharge performance.

#### DESCRIPTION

The buoyancy proof plastic sumps of high grade polyethylene are approved by the German Institute for Construction Engineering (DIBt) and are provided with inlet DN 150, port DN 100 for power cable and venting and a discharge branch DN 32.

The newly designed unique coupling system made of Polyphthalamide (PPA) is located above the water level. The stainless steel ball valve is provided with a safety locking device. The coupling valve can only be opened after closing the ball valve. A certified stainless steel chain and a guide tube facilitate the lifting of the pump or the coupling of the pump and coupling unit. This allows a maintenance of the ball check valve outside the sump.

Depending on the used extension it is possible to extend the sump to a total height of 2.70 metres. The required type of loading class depends on the site.

**Single unit:** The total volume is 640 litres. The storage volume up to the lower edge of the inlet is 145 litres and the residual volume is 36 litres.

**Double unit:** The total volume is 740 litres. The storage volume up to the lower edge of the inlet is 190 litres and the residual volume is 85 litres.



PKS-B 800-32

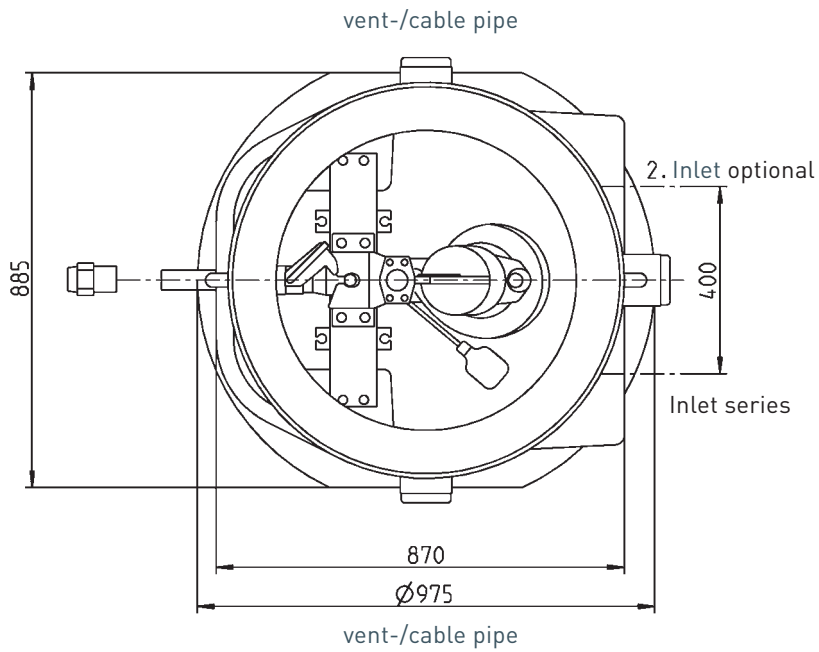
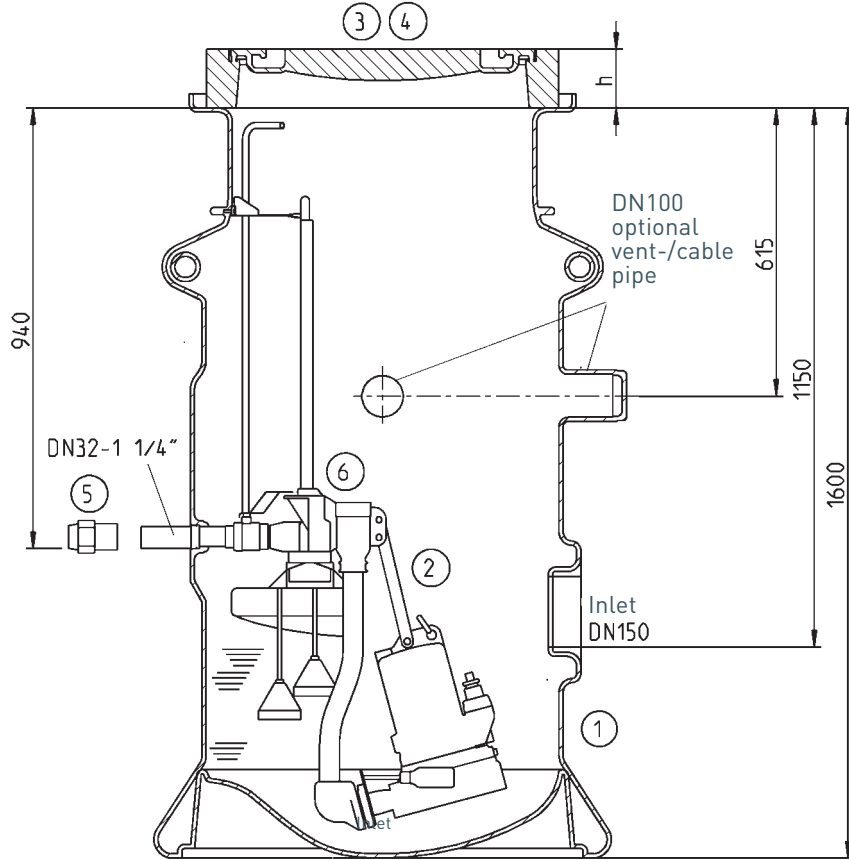
- Mark of conformity
- Suitable for traffic to class B 125
- Corrosion resistant components
- Patented security locking
- Inlet designed for optimised flow
- Smooth benched deposit free collection chamber
- Coupling system with guide tube
- Ball check valve with pump and pressure pipe is removable
- Residual volume as of 36 litres

# JUNG PUMPEN PKS-B 800

## POLY-SUMP

FOR MULTICUT PUMPS

Single unit PKS-B 800-32



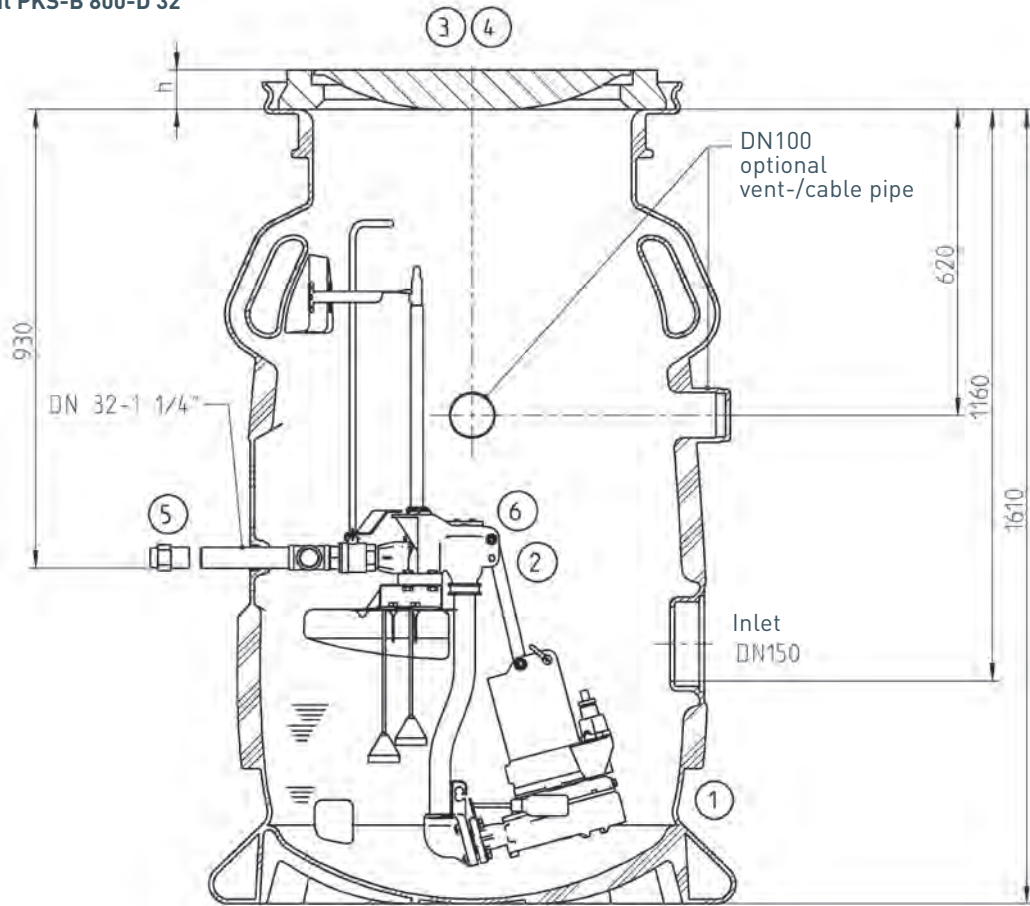
43239-00

# JUNG PUMPEN PKS-B 800

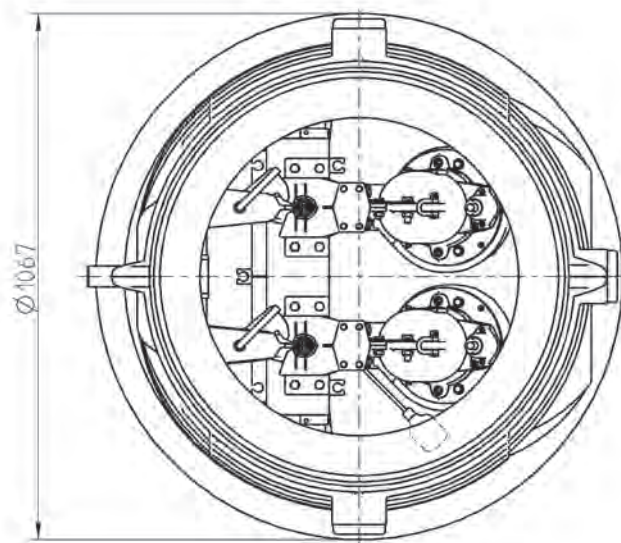
## POLY-SUMP

FOR MULTICUT PUMPS

Double unit PKS-B 800-D 32



vent-/cable pipe



vent-/cable pipe

48026-00

# JUNG PUMPEN PKS-A 800

## POLY-SUMP

FOR MULTICUT PUMPS

### Dimensions sump extensions

#### Single unit PKS-B 800-32

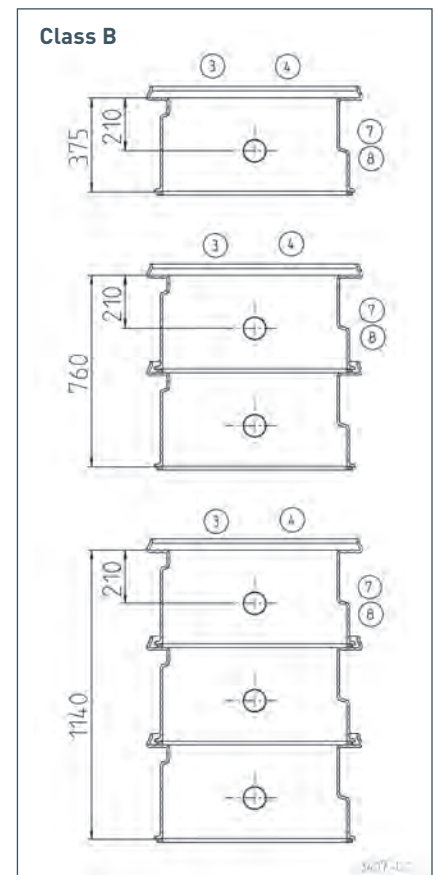
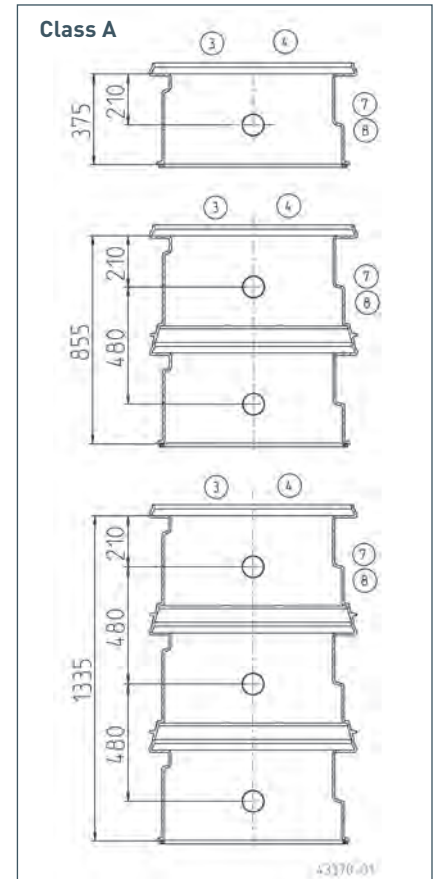
| Dimensions (without cover) mm | Height | Inlet | Pressure outlet | Buoyancy proof depth |
|-------------------------------|--------|-------|-----------------|----------------------|
| Sump                          | 1600   | 1150  | 940             | 1600                 |
| <b>Class A</b>                |        |       |                 |                      |
| Sump + 1 x PSV-A/B 375        | 1975   | 1525  | 1315            | 1975                 |
| Sump + 1 x PSV-A 855          | 2455   | 2005  | 1795            | 2455                 |
| Sump + 1 x PSV-A 1335         | 2935   | 2485  | 2275            | 2935                 |
| <b>Class B</b>                |        |       |                 |                      |
| Sump + 1 x PSV-A/B 375        | 1975   | 1525  | 1315            | 1975                 |
| Sump + 2 x PSV-A/B 375        | 2360   | 1910  | 1700            | 2360                 |
| Sump + 3 x PSV-A/B 375        | 2740   | 2290  | 2080            | 2740                 |

| Volume       | Sump  | Extension | Switching point |       |       |                   |
|--------------|-------|-----------|-----------------|-------|-------|-------------------|
|              |       |           | PSV             | Off   | On    | Alarm / peak load |
| PKS-B 800-32 | 640 l | 159 l     | 36 l            | 110 l | 145 l | 145 l             |

#### Double unit PKS-B 800-D 32

| Dimensions (without cover) mm | Height | Inlet | Pressure outlet | Buoyancy proof depth |
|-------------------------------|--------|-------|-----------------|----------------------|
| Sump                          | 1610   | 1160  | 930             | 1610                 |
| <b>Class A</b>                |        |       |                 |                      |
| Sump + 1 x PSV-A/B 375        | 1985   | 1535  | 1305            | 1985                 |
| Sump + 1 x PSV-A 855          | 2465   | 2015  | 1785            | 2465                 |
| Sump + 1 x PSV-A 1335         | 2945   | 2495  | 2265            | 2945                 |
| <b>Class B</b>                |        |       |                 |                      |
| Sump + 1 x PSV-A/B 375        | 1985   | 1535  | 1305            | 1985                 |
| Sump + 2 x PSV-A/B 375        | 2370   | 1920  | 1690            | 2370                 |
| Sump + 3 x PSV-A/B 375        | 2750   | 2300  | 2070            | 2750                 |

| Volume        | Sump  | Extension | Switching point |       |       |                   |
|---------------|-------|-----------|-----------------|-------|-------|-------------------|
|               |       |           | PSV             | Off   | On    | Alarm / peak load |
| PKS-B 800-D32 | 740 l | 159 l     | 85 l            | 140 l | 190 l | 190 l             |



# JUNG PUMPEN PKS-B 800

## POLY-SUMP

FOR MULTICUT PUMPS

### SCOPE OF SUPPLY

#### PKS-B 800-32 (single unit)

Plastic sump, coupling system and guide tube, stainless steel ball valve with extension and security locking. Stainless steel discharge branch DN 32 with internal thread 1¼", 2 sleeves DN 150 (KG-pipe) for the inlet (one ready for connection) and 3 ports DN 100 (KG-pipe) for cable and venting.

#### PKS-D 800-D32 (double unit)

Plastic sump, coupling system and guide tube, 2 stainless steel ball valves with extension and security locking. Stainless steel discharge branch DN 32 with internal thread 1¼", 1 sleeve DN 150 (KG-pipe) for the inlet, 3 ports DN 100 (KG-pipe) for cable and venting.

#### PSV -Sump extension

Sump extension, sealing for neck of sump and 2 ports for cable and venting DN 100 (KG-pipe).

### ACCESSORIES

| Description  | Code-No.                             | Weight (kg) |
|--|--------------------------------------|-------------|
| <b>1 Poly-sump</b><br><br><b>Second inlet (single unit)</b>  | PKS-B 800-32                         | 78          |
|  | PKS-B 800-D32                        | 80          |
|  | with sealing element DN 150          | JP42181     |
| <b>2 Discharge pipe assembly-32 *</b>  | 08/2M Ex, 20/2M plus up to 45/2M, Ex | 8           |
|  | 08/2M                                | 8           |
| <b>3 Cover cl. A</b><br><br><b>Lifting device for cl. A</b><br><br><b>Cover cl. B without ventilation</b><br><br><b>Ventilation pipe</b>                       | Ø 600 cl. A 15, h= 80, D 785         | 90          |
|  |                                      | JP44969     |
|  | Ø 610 cl. B 125, h= 125, D 750       | 110         |
|  | DN 100, stainless steel              | JP44858     |
| <b>4 Concrete ring</b>   | 625 x 100 mm, Ø 785                  | 32          |
| <b>5 Single ended quick release coupling with female thread and clamp</b><br><br>1 ¼" to Ø 40 mm (DN 32)<br>1 ¼" to Ø 50 mm (DN 40)<br>1 ¼" to Ø 63 mm (DN 50) |                                      | JP44796     |
|  |                                      | JP44797     |
|  |                                      | JP44798     |
| <b>6 DRS-connection ½" with cover</b><br><br><b>Breathing valve with cover</b><br><br><b>DRS-connection + Breathing valve with cover</b>                       | Further accessories on request.      | JP42178     |
|  |                                      | JP42179     |
|  |                                      | JP42180     |
| <b>7 Sump extension</b><br><br><br><b>Guide rail extension PKS-B -32</b><br><b>Guide rail extension PKS-B -D32</b>   | PSV-A/B 375                          | 25          |
|  | PSV-A 855                            | 40          |
|  | PSV-A 1335                           | 54          |
|  | single unit                          | JP46439     |
|  | double unit                          | JP48064     |
| <b>8 Operating handle T-Key PKS (telescopic)</b>   | for extension                        | JP46438     |

\* if double unit order 2x

### PUMP TYPES FOR PKS-A 800-D32

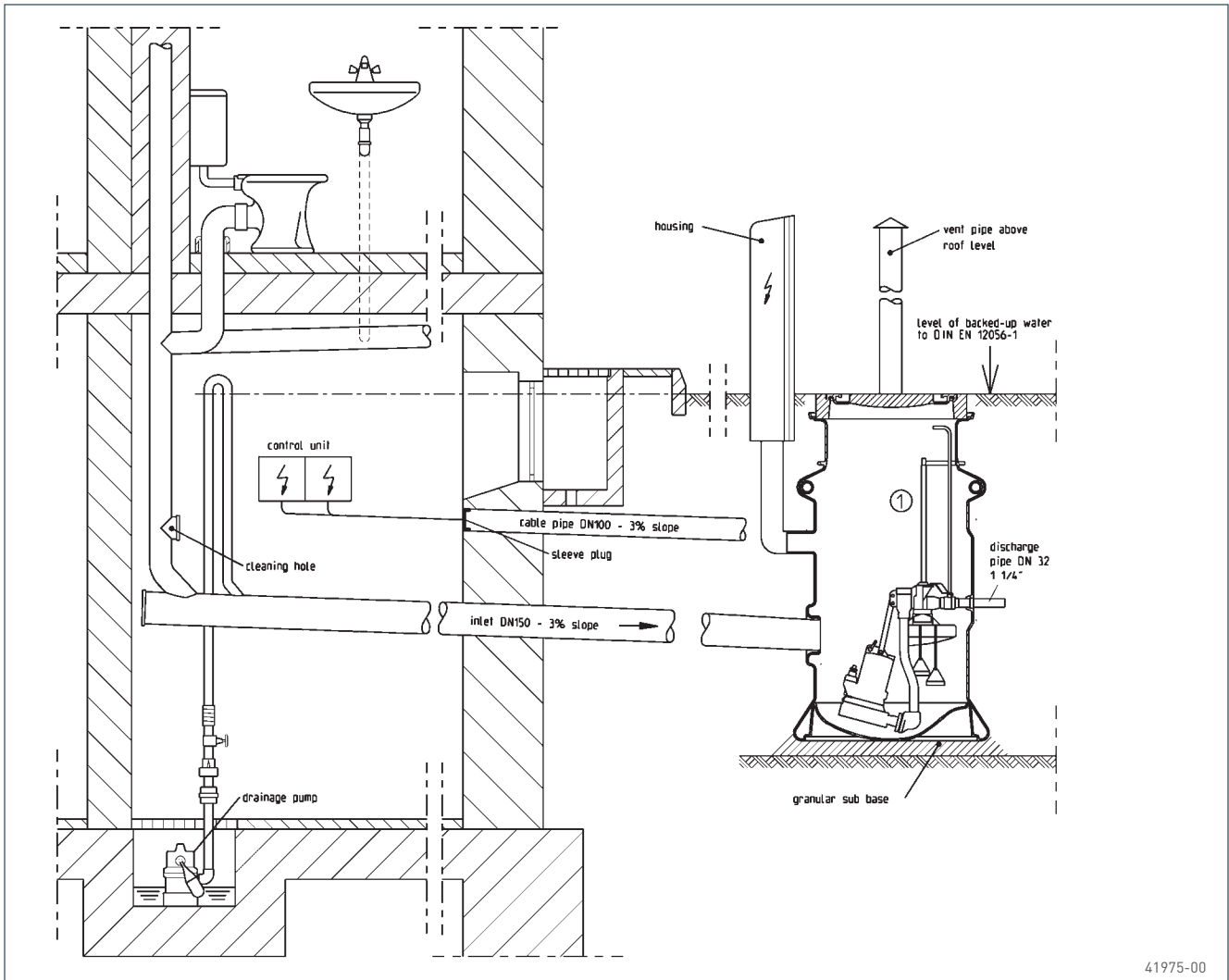
#### MultiCut-Pumps:

08/2 M, 08/2 ME, 20/2 M plus, 25/2 ME, 35/2 M, 36/2 M, 45/2 M

# JUNG PUMPEN PKS-B 800

## POLY-SUMP

FOR MULTICUT PUMPS



41975-00

### INSTALLATION CHARACTERISTICS

The PKS-Sump complies with all the requirements of standards DIN EN 12056/752/476 and is supplied ready for installation and connecting up. It's low weight facilitates transport and installation. It can be installed and connected in a short time without the need of expensive construction machinery.

Subject to compliance with the "hints and operating requirements of standard DIN 476" the height levels can be easily adjusted using industry standard support rings to DIN 4034 T1 or by using the sump extensions PSV.

Checking and maintenance work on the valves can be easily carried out from above – without the need to enter the sump.

Important functional features have also been taken into consideration when designing the PKS sump: a smooth benched collection chamber without any septic zones, inlets DN 150 orientated in the flow direction and a pressure tight discharge connection which is water tight resistant to any longitudinal stresses.



## JUNG PUMPEN PKS-D 1000

### POLY-SUMPS

PKS-D 1000 FOR MULTICUT PUMPS

#### APPLICATION

The buoyancy proof and practicable plastic sump in high-grade polypropylene (PP) is approved by the German Institute for Construction Engineering (Reg.-N° Z-42.1-410). It is used in pressure drainage systems as well as a standard pump sump. It is suitable for use in areas with traffic load up to 40 tons. (DIN EN 124, group 4). The PKS-D can be placed on natural ground without concrete works. The modular design offers easy transport and installation.

In order to adjust the pumping stations to the required pumping conditions a wide range of MultiCut submersible sewage pumps is available, both with or without explosion protection.

The sump is available in two versions, with a ladder (SG) using pumps MultiCut 20/2 M to 45/2 M and without a ladder using the larger MultiCut types 75/2 M and 76/2 M. Both versions have a connection piece for inlet, two sockets with seal for ventilation and cable duct, a facility for installing a flushing connection and a DN 40 pressure outlet.

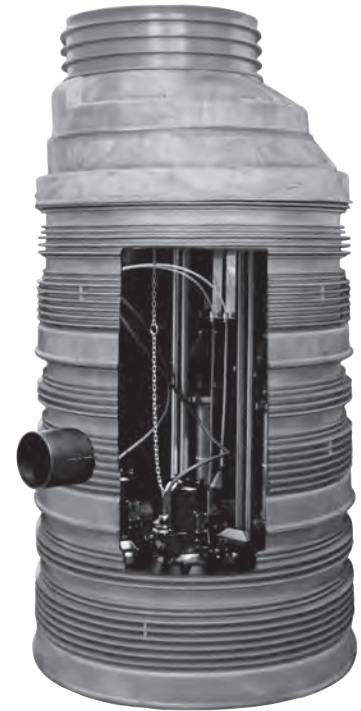
The standard installation depth without a cover is 2.27 m. The installation depth can be extended to 5.90 m by the use of sump extensions (installation depth in ground water not more than 4 m). The total volume is 1372 litres. The volume storage below the inlet is 396 litres.

If extensions are used, one of the extensions must be ordered with a tie-bar.

#### AVAILABLE PUMP TYPES

##### MultiCut pumps

20/2 M plus, 25/2 ME, 35/2 M, 36/2 M, 45/2 M, 75/2 M and 76/2 M



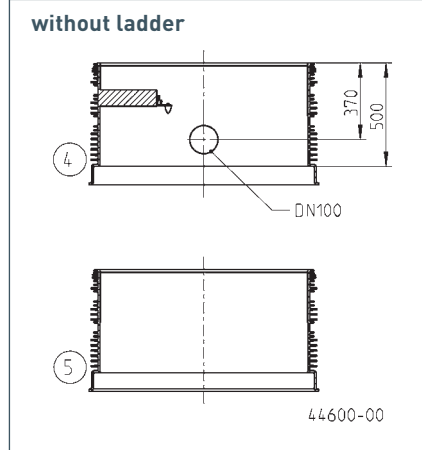
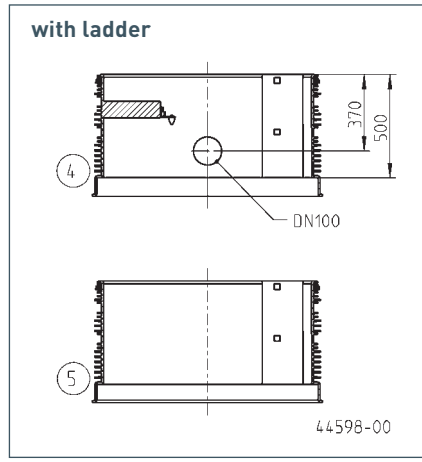
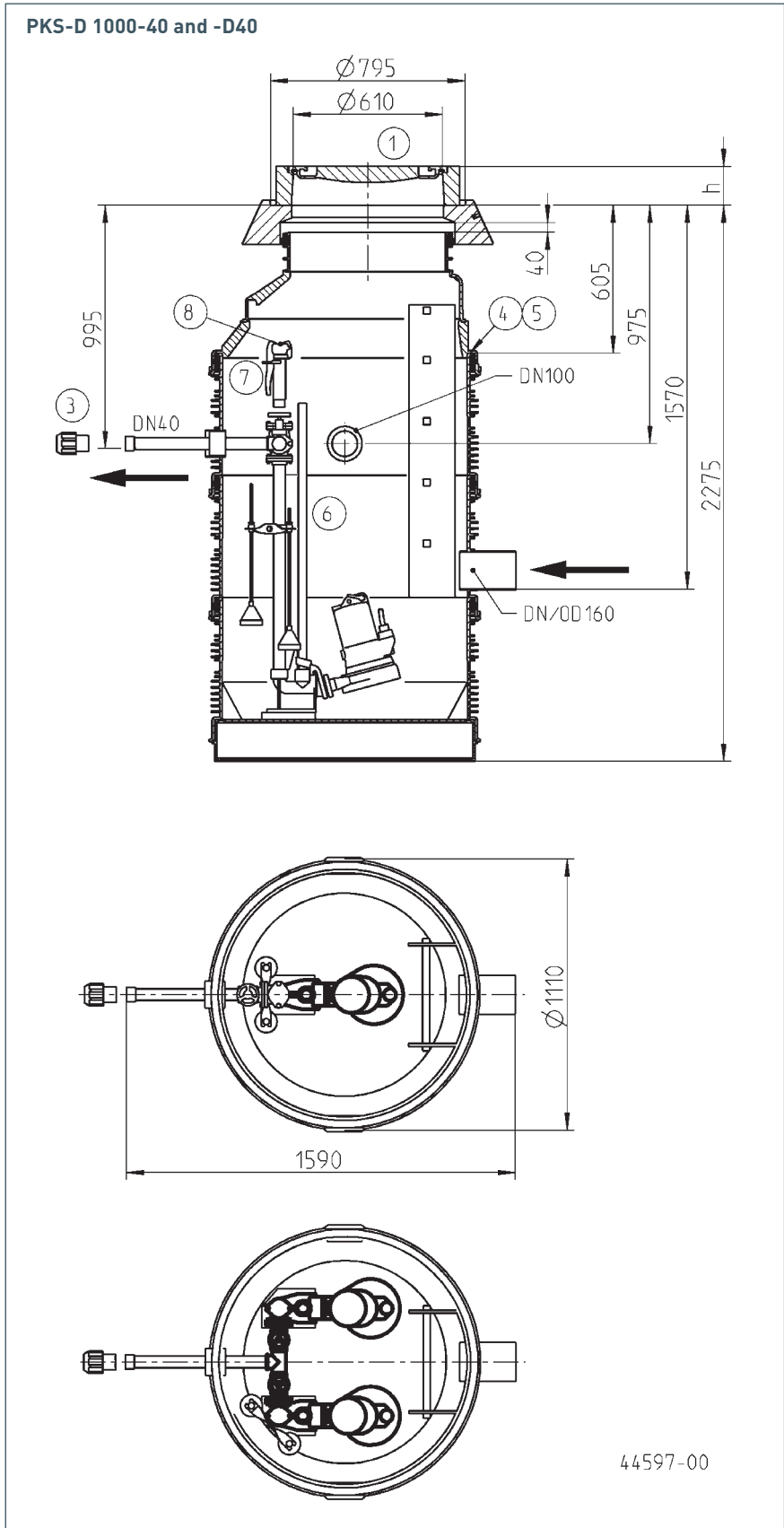
PKS-D 1000-D40

- Mark of conformity Z-42.1-410
- Suitable for traffic up to class D 400
- Corrosion-proof
- Buoyancy-proof and ground water proof
- Max. installation depth 5.90 m

# JUNG PUMPEN PKS-D 1000

## POLY-SUMPS

PKS-D 1000 FOR MULTICUT PUMPS



We reserve the right to change specifications without notice. illustration with ladder

# JUNG PUMPEN PKS-D 1000

## POLY-SUMPS

PKS-D 1000 FOR MULTICUT PUMPS

### SCOPE OF SUPPLY

#### PKS-D 1000-40 (single unit)

The poly-sump consist of an underpart with an inlet and a discharge branch, an extension element, a cone 1000/625 and a concrete support ring for the manhole cover (accessory). The segments are sealed with sealing rings.

Inlet socket DN/OD 160 (DN 150) for PVC collar (KGU), 2 sockets DN 100 for ventilation/cable duct, 1 socket plug DN 100, guide rail system, pipework with elbow ball check valve and stop valve in

DN 40 in stainless steel, facility for flushing connection system "Perrot".

#### PKS-D 1000-D40 (duplex unit)

The poly-sump consist of an underpart with an inlet and a discharge branch, an extension element, a cone 1000/625 and a concrete support ring for the manhole cover (accessory). The segments are sealed with sealing rings.

Inlet socket DN/OD 160 (DN 150) for PVC collar (KGU), 2 sockets DN 100 for ventilation/cable duct, 1 socket plug DN 100, 2 guide rail systems, pipework with elbow ball check valves and stop valves in DN 40 in stainless steel, facility for flushing connection system "Perrot".

### SUMPS

| Type   | Code no.       | Weight |
|--|----------------|--------|
| Poly-sump PKS-D 1000-40                      | <b>JP44358</b> | 280 kg |
| Poly-sump PKS-D 1000-D40                     | <b>JP44359</b> | 300 kg |
| Poly-sump PKS-D 1000-D40 (75) without ladder | <b>JP44361</b> | 300 kg |

### ACCESSORIES

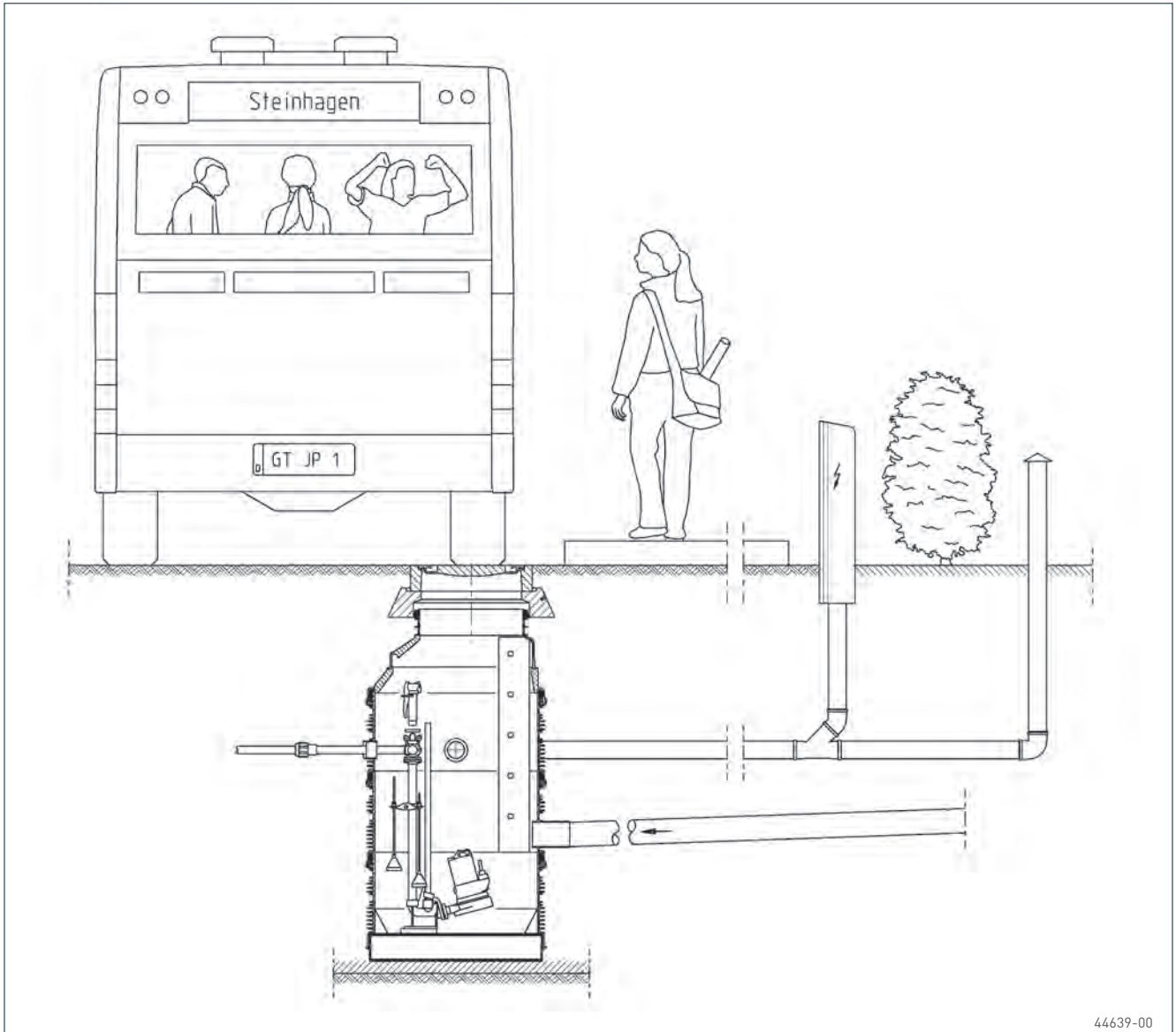
| Description   | Code no.                                | Weight   |
|---|---|----------|
| ① Cover without ventilation, class B d610 h=125                         | <b>JP44972</b>                          | 110,0 kg |
| Cover without ventilation, class D d610 h=160                           | <b>JP29175</b>                          | 190,0 kg |
| ② Access aid, grab handle   | <b>JP44610</b>                          | 4,0 kg   |
| Access aid, sleeve  | <b>JP44611</b>                          | 1,5 kg   |
| ③ Screw joint 1 1/2'' - 50mm with female thread and clamping connection | <b>JP45948</b>                          | 0,3 kg   |
| Screw joint 1 1/2'' - 63mm with female thread and clamping connection   | <b>JP45949</b>                          | 0,4 kg   |
| ④ PSV-D 1000x500 SG T (10) Tie-bar, ladder                              | <b>JP44407</b>                          | 34,0 kg  |
| PSV-D 1000x500 T (10) Tie-bar   | <b>JP44408</b>                          | 32,0 kg  |
| ⑤ PSV-D 1000x500 SG (10) Ladder   | <b>JP44403</b>                          | 16,6 kg  |
| PSV-D 1000x500 (10)   | <b>JP44404</b>                          | 15,6 kg  |
| ⑥ Guide tube 1" stainless steel 1m                                      | <b>JP28346</b>                          | 2,5 kg   |
| Sump depth in m   | 2.27 2.77 3.27 3.77 4.27 4.77 5.27 5.77 |          |
| Required guide tube length in m   | 1.15 1.65 2.15 2.65 3.15 3.65 4.15 4.65 |          |
| Attention! For duplex units, two guide tubes are necessary.             |   |          |
| ⑦ Fire hose coupling size C 1 1/2'' KE Galvanised                       | <b>JP23717</b>                          | 1,2 kg   |
| Perrot flushing connection KE 250 Galvanised                            | <b>JP23097</b>                          | 2,0 kg   |
| ⑧ Perrot hose connection Ø 50 mm  | <b>JP19202</b>                          | 0,4 kg   |
| Perrot DRS connection   | <b>JP22421</b>                          | 0,5 kg   |
| Perrot breathing valve  | <b>JP22422</b>                          | 0,6 kg   |
| Perrot pressure gauge   | <b>JP44854</b>                          | 1,4 kg   |
| Perrot claw coupling  | <b>JP22420</b>                          | 0,5 kg   |
| Perrot flush connector R 1''  | <b>JP22466</b>                          | 0,3 kg   |
| ⑨ Ventilation pipe DN 100 Stainless steel                               | <b>JP44858</b>                          | 4,3 kg   |
| ⑩ Second or changed inlet DN 150  | <b>JP44523</b>                          |          |
| Second or changed inlet DN 200  | <b>JP44524</b>                          |          |
| Second or changed inlet DN 250  | <b>JP44525</b>                          |          |
| ⑪ Seal lubricant 1 kg tube  | <b>JP44605</b>                          | 1,0 kg   |
| Seal lubricant 3 kg bucket  | <b>JP44606</b>                          | 3,0 kg   |
| ⑫ Dislocate of gravity center for 75/2 M and 76/2 M per pump            | <b>JP44757</b>                          |          |

# JUNG PUMPEN PKS-D 1000

## POLY-SUMPS

PKS-D 1000 FOR MULTICUT PUMPS

### INSTALLATION EXAMPLE



44639-00

**Attention:** Concerning space capacity the installation of submersible switches is not possible.

## JUNG PUMPEN PKS-D 1000

### POLY-SUMPS

FOR MULTISTREAM AND MULTIFREE PUMPS

#### APPLICATION

The buoyancy proof and practicable plastic sump in high-grade polypropylene (PP) is approved by the German Institute for Construction Engineering (Reg.-N° Z-42.1-410). It is used in pressure drainage systems as well as a standard pump sump. It is suitable for use in areas with traffic load up to 40 tons. (DIN EN 124, group 4). The PKS-D can be placed on natural ground without concrete works. The modular design offers easy transport and installation.

The sump has a connection piece for inlet, two sockets with seal for ventilation and cable duct, a facility for installing a flushing connection and a DN 80 pressure outlet.

The standard installation depth without a cover is 2.77 m. The installation depth can be extended to 5.90 m by the use of sump extensions (installation depth in ground water not more than 4m). The total volume is 1764 litres. The storage volume below the inlet is 395 litres.

In order to adjust the pumping stations to the required pumping conditions a wide range of single channel impeller or vortex impeller pumps is available, both with or without explosion protection.

#### AVAILABLE PUMP TYPES

**MultiStream pumps DN 65**

**MultiStream pumps DN 80**

**MultiFree pumps DN 65**

**MultiFree pumps DN 80**

- Mark of conformity Z-42.1-410
- Suitable for traffic up to class D 400
- Corrosion-proof
- Buoyancy-proof and ground water proof
- Max. installation depth 5.90 m



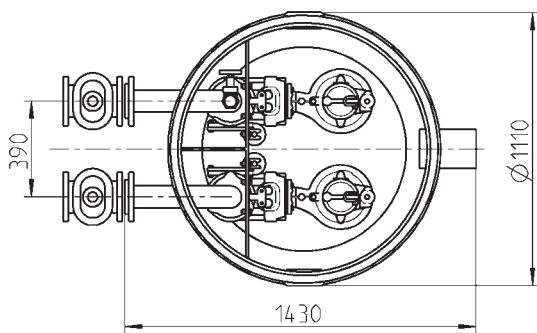
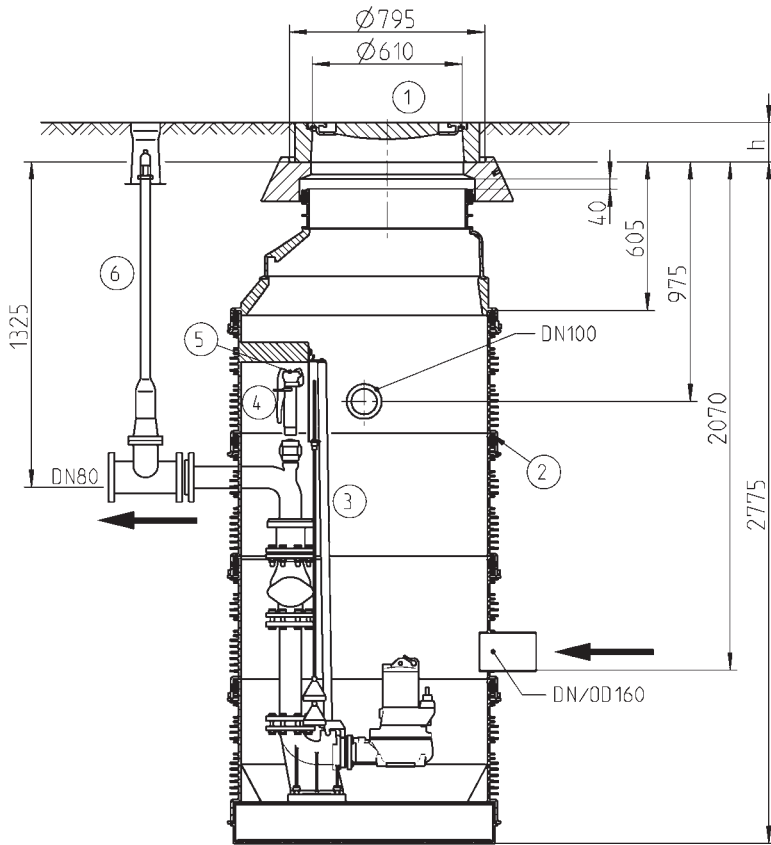
PKS-D 1000-D80

# JUNG PUMPEN PKS-D 1000

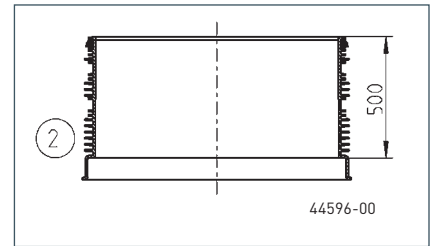
## POLY-SUMPS

FOR MULTISTREAM AND MULTIFREE PUMPS

PKS-D 1000-D65 and D80



44593-00



We reserve the right to change specifications without notice

# JUNG PUMPEN PKS-D 1000

## POLY-SUMPS

FOR MULTISTREAM AND MULTIFREE PUMPS

### SCOPE OF SUPPLY

#### PKS-D 1000-D65 /D80 (duplex units)

The poly-sump consist of an underpart with an inlet and a discharge branch, an extension element with tie-bar, a cone 1000/625 and a concrete support ring for the manhole cover (accessory). The segments are sealed with sealing rings.

Inlet socket DN/OD 160 (DN 150) for PVC collar (KGU), 2 sockets DN 100 for ventilation/cable duct, 1 socket plug DN 100, 2 guide rail systems, pipework with non-return valves in DN 80, facility for flushing connection system "Perrot"

### SUMPS

| Type                     | Code No.       | Weight |
|--------------------------|----------------|--------|
| Poly-sump PKS-D 1000-D65 | <b>JP44379</b> | 442 kg |
| Poly-sump PKS-D 1000-D80 | <b>JP44381</b> | 443 kg |

### ACCESSORIES

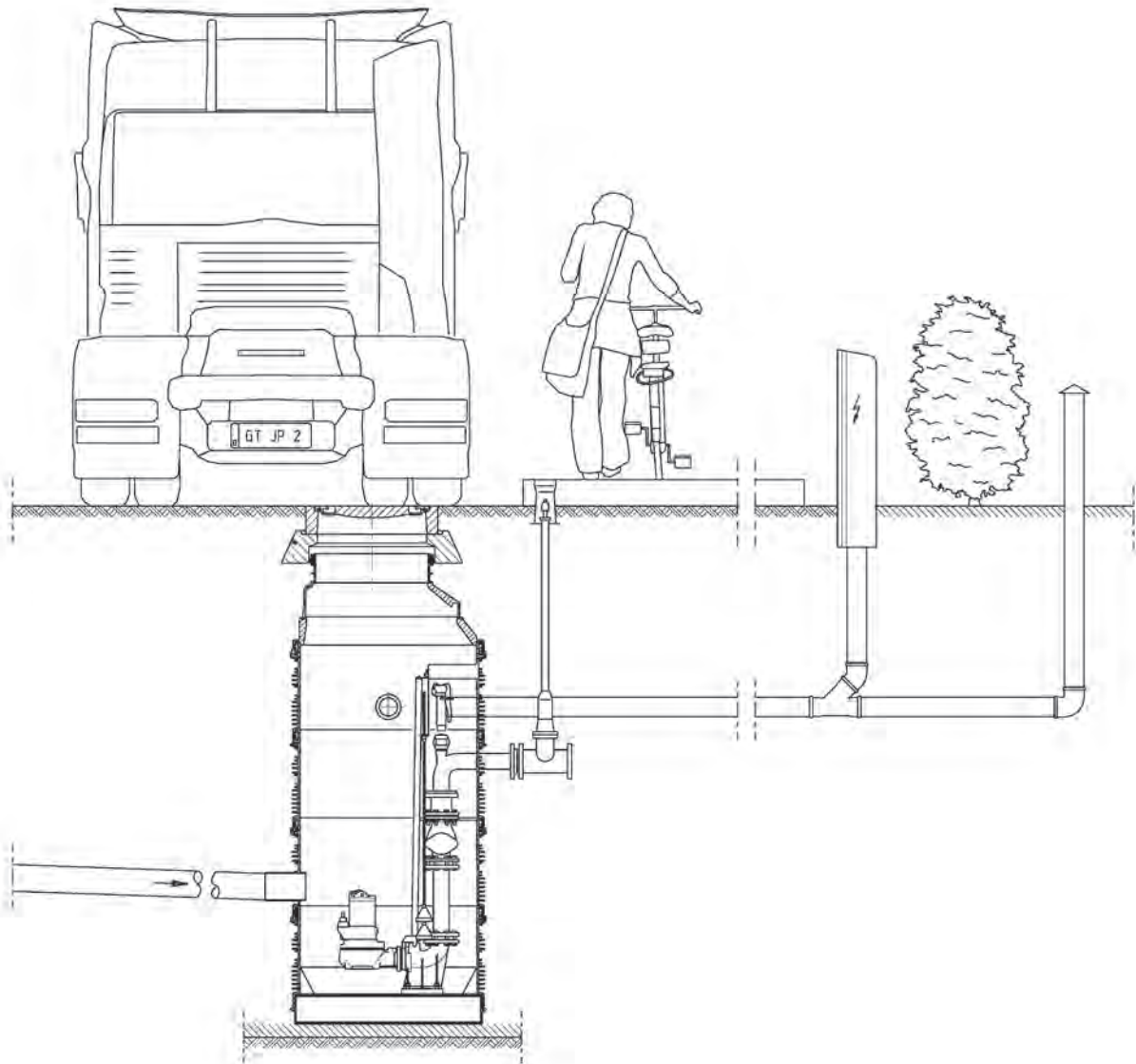
| Description   | Code No.   | Weight   |
|---|--|--|
| ① Cover without ventilation, class B d610<br>Cover without ventilation, class D d610  | <b>JP44972</b><br><b>JP29175</b>   | 110,0 kg<br>190,0 kg                                     |
| ② PSV-D 1000x500 (10)   | <b>JP44404</b>   | 15,6 kg  |
| ③ Guide tube 1" stainless steel 1m<br>Sump depth in m<br>Required guide tube length in m<br>Attention! Please note that you need to order four guide tubes.                 | <b>JP28346</b>   | 2,5 kg   |
| ④ Fire hose coupling size C, 1 1/2"<br>Perrot flushing connection G 250   | <b>JP44770</b><br><b>JP22353</b>   | 0,3 kg<br>1,4 kg   |
| ⑤ Perrot hose connection<br>Perrot DRS connection<br>Perrot breathing valve<br>Perrot pressure gauge<br>Perrot claw coupling<br>Perrot flush connector R 1"                 | <b>JP19202</b><br><b>JP22421</b><br><b>JP22422</b><br><b>JP44854</b><br><b>JP22420</b><br><b>JP22466</b> | 0,4 kg<br>0,5 kg<br>0,6 kg<br>1,4 kg<br>0,5 kg<br>0,3 kg |
| ⑥ Underground valve DN 80<br>Set of earth installation equipment 0.7 m<br>Set of earth installation equipment 1.0 -1.4 m<br>Set of earth installation equipment 1.25 -1.8 m | <b>JP18936</b><br><b>JP18938</b><br><b>JP18939</b><br><b>JP18940</b>                                     | 24,0 kg<br>30,0 kg<br>32,0 kg<br>33,0 kg                 |
| ⑦ Ventilation pipe DN 100   | <b>JP44858</b>   | 4,3 kg   |
| ⑧ Second or changed inlet DN 150<br>Second or changed inlet DN 200<br>Second or changed inletDN 250   | <b>JP44523</b><br><b>JP44524</b><br><b>JP44525</b>   |  |
| ⑨ Seal lubricant 1 kg tube<br>Seal lubricant 3 kg bucket  | <b>JP44605</b><br><b>JP44606</b>   | 1,0 kg<br>3,0 kg   |

# JUNG PUMPEN PKS-D 1000

## POLY-SUMPS

FOR MULTISTREAM AND MULTIFREE PUMPS

### Example of installation



44675-00

**Attention:** Concerning space capacity the installation of submersible switches is not possible.



## JUNG PUMPEN PKS-D 1500

### POLY-SUMP

FOR SUBMERSIBLE SEWAGE PUMPS

#### APPLICATION

The buoyancy-proof poly-sump which is suitable for traffic (up to class D) is used principally in the industrial and municipal sector. The modular construction and the comparatively low weight allow an easy transport and relocation, even in difficult terrain. In order to adjust the pumping station to the required pumping conditions a wide range of MultiStream and MultiFree submersible sewage pumps is available.

#### DESCRIPTION

The sump consists of a monolithic lower segment of  $\varnothing$  1.5 m. The standard sump has an installation depth of 2.82 m. The installation depth can be extended up to 4.82 m on request. Max. submergence in groundwater 3.87 m.

An offset welded into the bottom element ensures a sediment free collecting chamber.

The guide rails are extended upwards to just under the cover plate in order to ensure a maximum of comfort for installation and demounting the pumps.

A manhole cover, inner width = 800 mm, is located in the rectangular concrete cover plate. The sumps are equipped with a ladder.

- Sump erection without previous concret works
- Suitable for traffic to class D 400
- Corrosion-proof (PE-HD)
- Long life
- Buoyancy-proof and ground water proof
- Easy to install and ready to fit



PKS-D 1500

#### AVAILABLE PUMP TYPES

**MultiCut DN 32**

**MultiStream Pumps DN 80**

**MultiStream Pumps DN 100**

**MultiFree Pumps DN 80**

**MultiFree Pumps DN 100**

# JUNG PUMPEN PKS-D 1500

## POLY-SUMP

FOR SUBMERSIBLE SEWAGE PUMPS

### ACCESSORIES

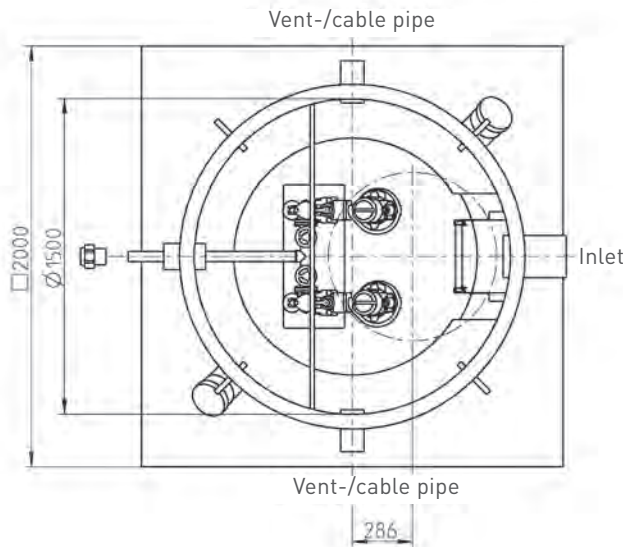
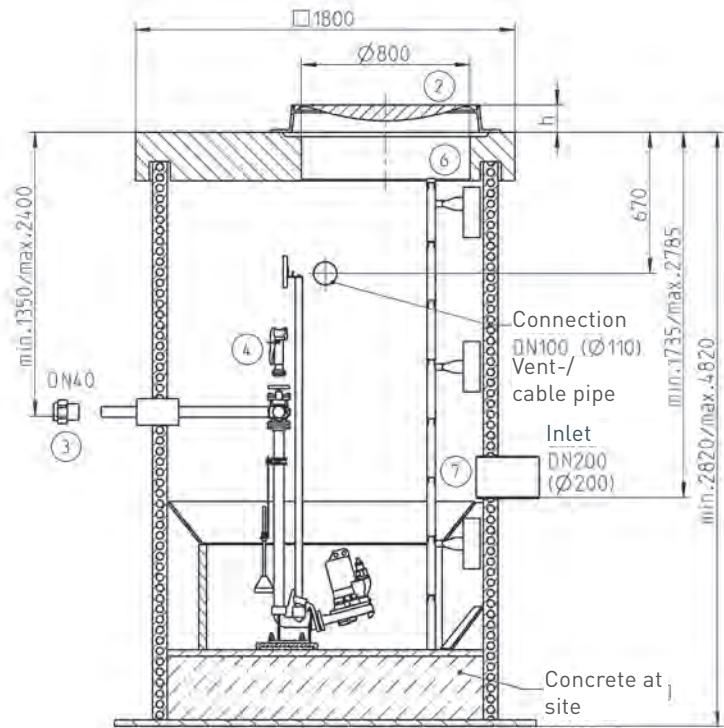
| Description  | Code No.       | Weight (kg) | MultiStream |    |       | MultiFree |         |             | MultiCut |
|--|----------------|-------------|-------------|----|-------|-----------|---------|-------------|----------|
|  |                |             | B1-B5       | B6 | C1-C5 | AW1       | BW1-BW2 | CW1-CW2-CW3 |          |
| <b>1</b> PKS-D 1500 – D40  | <b>JP45665</b> | 2080        |             |    |       |           |         |             | •        |
| PKS-D 1500 – D80   | <b>JP45666</b> | 2145        | •           |    |       |           | •       |             |          |
| PKS-D 1500 – D100  | <b>JP45667</b> | 2220        |             | •  | •     |           |         | •           |          |
| <b>2</b> Manhole cover BEGU D 400 without ventilation Ø 800 h = 130*   | <b>JP40531</b> | 304         | •           | •  | •     |           | •       | •           | •        |
| Ventilation pipe DN 100 stainless steel                                | <b>JP44858</b> |             | •           | •  | •     |           | •       | •           | •        |
| <b>3</b> Connection DN 40  | <b>JP45948</b> |             |             |    |       |           |         |             | •        |
| Connection DN 50   | <b>JP45949</b> |             |             |    |       |           |         |             | •        |
| Flange adaptor DN 80   | <b>JP30062</b> | 7           | •           |    |       |           | •       |             |          |
| DN 100   | <b>JP30063</b> | 10          |             | •  | •     |           |         | •           |          |
| Pipe connector DN 80 (for spigot)                                      | <b>JP30065</b> | 7           | •           |    |       |           | •       |             |          |
| DN 100 (for spigot)  | <b>JP45926</b> | 12          |             | •  | •     |           |         | •           |          |
| Inner support sleeve DN 80 PE100, SDR11 (necessary for PE pipe)        | <b>JP30096</b> |             | •           |    |       |           | •       |             |          |
| DN 100* PE100, SDR11 (necessary for PE pipe)                           | <b>JP30097</b> |             |             | •  | •     |           |         | •           |          |
| <b>4</b> Perrot flushing connection 1½", DN 40                         | <b>JP25794</b> |             |             |    |       |           |         |             | •        |
| 1½" Edelstahl D80  | <b>JP29583</b> |             | •           |    |       |           | •       |             |          |
| Accessories for flushing tube Bend with hose nozzle Ø 50 mm            | <b>JP19202</b> |             | •           |    |       |           | •       |             | •        |
| DRS-connection ½"  | <b>JP22421</b> |             | •           |    |       |           | •       |             | •        |
| Breathing valve  | <b>JP22422</b> |             | •           |    |       |           | •       |             | •        |
| DRS-connection with breathing valve ½"                                 | <b>JP22419</b> |             | •           |    |       |           | •       |             | •        |
| Pressure gauge   | <b>JP44854</b> |             | •           |    |       |           | •       |             | •        |
| Claw coupling  | <b>JP22420</b> |             | •           |    |       |           | •       |             | •        |
| Flush 1" outside   | <b>JP22466</b> |             | •           |    |       |           | •       |             | •        |
| <b>5</b> Fire hose coupling C (DIN 14307) 1½" (sump D80)               | <b>JP44770</b> |             | •           |    |       |           | •       |             |          |
| C (DIN 14307) 2" (sump D100)   | <b>JP44853</b> |             |             | •  | •     |           |         | •           |          |
| <b>6</b> Access aid PKS-D Duplex stringer, immersible, stainless steel | <b>JP28255</b> |             | •           | •  | •     |           | •       | •           | •        |
| <b>7</b> Collide chamber   | <b>JP46525</b> | 5           | •           | •  | •     |           | •       | •           | •        |
| Seal lubricant 1 kg tube   | <b>JP44605</b> | 1           | •           | •  | •     |           | •       | •           | •        |
| 3 kg bucket  | <b>JP44606</b> | 3           | •           | •  | •     |           | •       | •           | •        |

# JUNG PUMPEN PKS-D 1500

## POLY-SUMP

FOR SUBMERSIBLE SEWAGE PUMPS

Mounting arrangement PKS-D 1500-D40



45579-03

### SCOPE OF SUPPLY

#### PKS-D 1500-D40

Monolithic sump  $\varnothing$  1,5 m with stainless steel outlet 1½", collecting chamber optimized for minimum residual water volume, inlet connection for collar KGU DN 200, 2 venting/cable connecting branches for collar KGU DN 100, 4 transport eyelets, mounted guide rail systems, coupling claws with screws enclosed, pressure pipe, Y-piece and 2 stop valves in stainless steel, 2 non return elbow valves in cast iron, option for 1½" flushing connection with stainless steel stop valve and stainless steel retainer for pressure sensors.

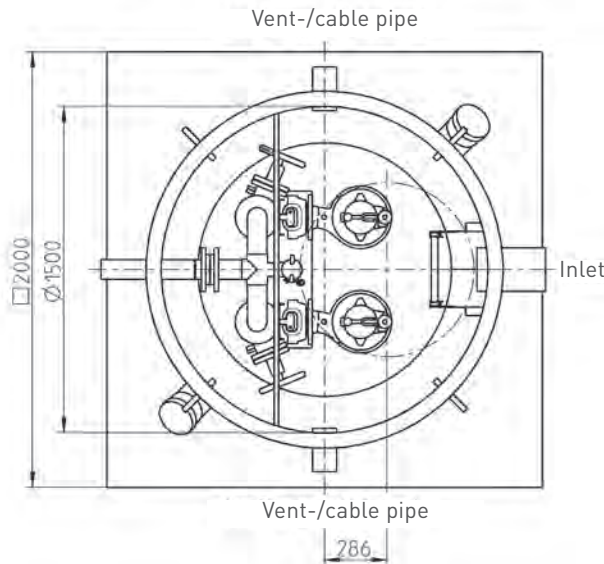
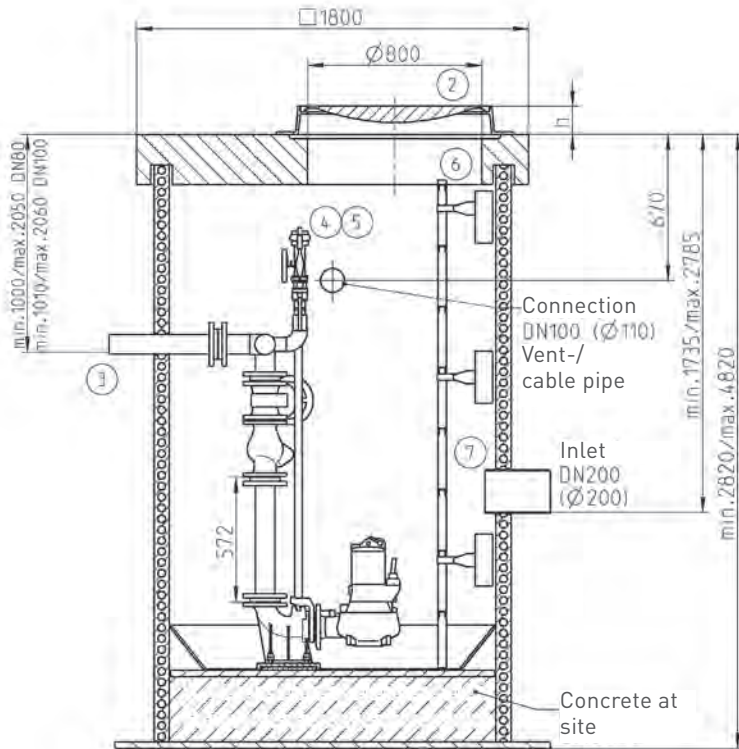
Pre-assembled stainless steel ladder and integrated PE tie bar with stainless steel guide tubes and brackets. Concrete cover plate (SLW 60) with manhole  $\varnothing$  800 mm.

# JUNG PUMPEN PKS-D 1500

## POLY-SUMP

FOR SUBMERSIBLE SEWAGE PUMPS

Mounting arrangement duplex unit PKS-D 1500-D80 and PKS-D 1500-D100



45580-03

### SCOPE OF SUPPLY

#### PKS-D 1500-D80 and PKS-D 1500-D100

Monolithic sump  $\varnothing$  1,5 m with DN 80 or DN 100 PE-HD pressure outlet DN 80 oder DN 100, offset, inlet connection for collar KGU DN 200, 2 venting/cable connecting branches for collar KGU DN 100, 4 transport eyelets, mounted guide rail systems, coupling claws with screws enclosed,

pressure pipe and Y-piece in PE, 2 stop valves and 2 non return valves in cast iron, option for 1½" flushing connection with stainless steel stop valve.

Pre-assembled stainless steel ladder and integrated PE tie bar with stainless steel guide tubes and brackets. Concrete cover plate (SLW 60) with manhole  $\varnothing$  800 mm.

We reserve the right to change specifications without notice

Greater installation and submergence depths on request

# JUNG PUMPEN PKS-D 1000-DLE

## POLYETHYLENE PRESSURE PIPE END SUMP

FOR WASTE WATER PIPELINES

### APPLICATION

#### Pressure pipe end sump PKS-D 1000-DLE

The buoyancy-proof accessible and practicable sump consists of single modular segments and is used as a transfer chamber between pressure pipes and gravity sewers as specified by DWA A 157. The pressure pipe enters the chamber below the water level. This plastic chamber fulfils the corrosion resistance required by DWA A 157. Taking up the (up to 80 DN) pressure pipe into the transfer chamber below the water level discourages the formation, agitation and emission of H<sub>2</sub>S from the pressure pipe and thus reduces odour.

It is suitable for use in areas with motor vehicle traffic (DIN EN 124 group 4).

The pump chamber PKS-D 1000-DLE can be installed on firm undisturbed soil without the need for any concrete work. The modular construction enables simple transport and relocation.

### DESCRIPTION

The buoyancy proof plastic sump (Z 42.1-410) of high grade polypropylen (PP) approved by the German Institute for Construction Engineering (DIBt), with a connection piece for inlet and a connection piece for discharge. The installation depth without cover is 1.22 m. Through the application of additional sump extensions (see accessories), the installation depth can be extended up to max. 5.72 m and therefore guarantees the necessary standing height of two meters.

### SCOPE OF SUPPLY

Plastic chamber in modular segments consisting of chamber floor with DLE flume and 1 connection piece DN 100 for inlet and 1 connection piece DN 200 for discharge, cone with ladder and one access gate Ø 610 mm and one concrete supporting ring (120 kg) for seating of the chamber cover (accessory). The sealing of the segments is performed by DN 1000 sealing element.

- Buoyancy-proof and ground water proof
- Corrosion-proof
- Buoyancy-proof and ground water proof
- Suitable for traffic to class D 400
- Flume according to DWA A 157
- Mark of conformity Z 42.1-410



PKS-D 1000-DLE

### INSTALLATION NOTE

The plastic chamber PKS-D 1000-DLE is manufactured from the environmentally compatible material polypropylen (PP). This material features several benefits, for one it is characterised by a high chemical stability, e. g. against hydrosulphide. Another benefit is the self-cleaning effect due to the smooth surface of the material PP.

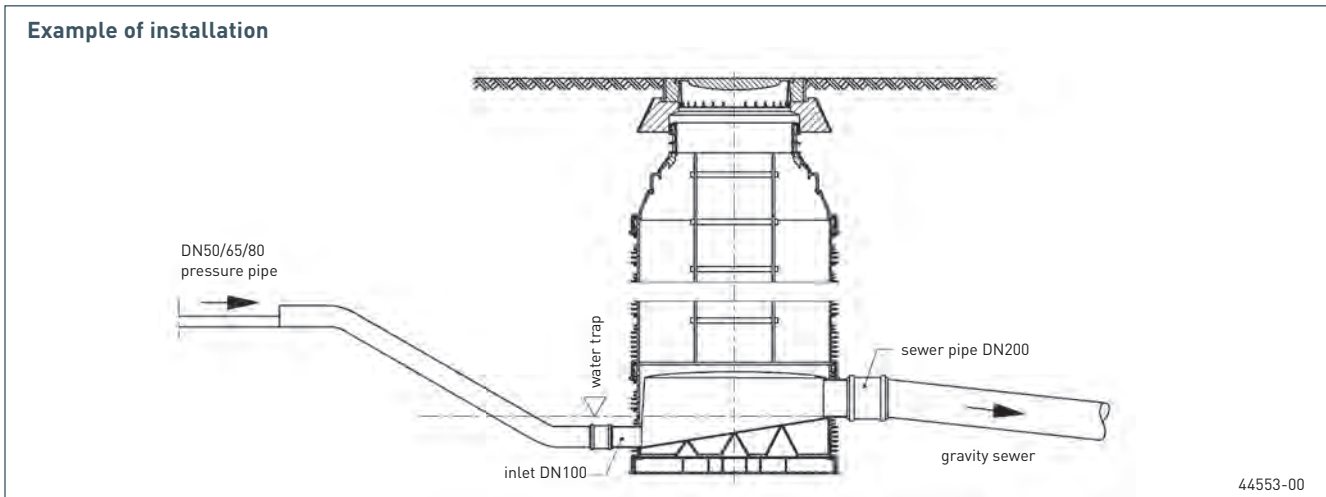
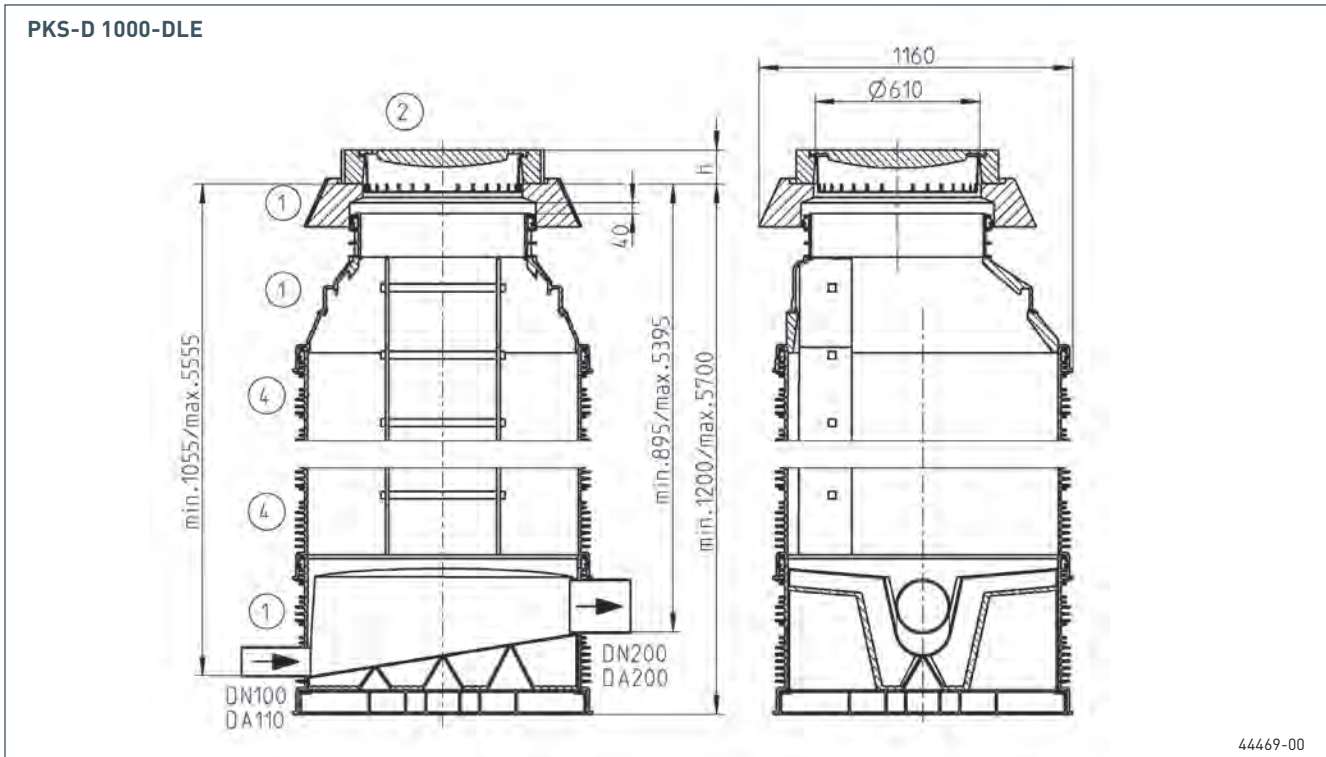
All these benefits ensure long-term quality and reduce the cost for maintenance or even redevelopment. Due to the modular system the chamber is completed through the single segments and can be very easily installed on site. The relatively low weight of the single segments, PP weighs 90% less than concrete, makes heavy machinery unnecessary.

The PKS-D 1000-DLE complies in all constructional characteristics with the DWA A157 (buildings of sewer systems) as well as the DWA M154 (odour emission of drainage systems). These recommend a turbulence free inlet of waste water into the pressure pipe end sump which delivers the waste water into the sewerage. The particular formation of the chamber floor (top of pressure pipe = floor level of continuative channel) counteracts often occurring odour problems and corrosion defects in transfer chambers. The PKS-D 1000-DLE is buoyancy-proof and tight against ground water up to an installation depth of 4 m and therefore also suitable for water protection areas.

# JUNG PUMPEN PKS-D 1000-DLE

## POLYETHYLENE PRESSURE PIPE END SUMP

FOR WASTE WATER PIPELINES



### ACCESSORIES

| Description   |   | Code No.           | Weight (kg) |
|---|---|--------------------|-------------|
| ① PKS-D 1000-DLE                                      |   | JP44367            | 215         |
| ② Manhole cover BEGU with ventilation and dirt bucket | Ø 610 Kl. B 125 h = 125<br>Ø 610 Kl. D 400 h = 160  | JP44973<br>JP29035 | 112<br>197  |
| ③ Access aid, sleeve                                  |   | JP44611            | 2           |
| Access aid, grab handle                               |   | JP44610            | 4           |
| ④ Sump extension PSV-D                                | 1000 x 500 SG (10)                                  | JP44403            | 17          |
| ⑤ Seal lubricant PKS-D                                | 1 kg tube (sufficient for two seals)<br>3 kg bucket | JP44605<br>JP44606 | 1<br>3      |