

Pentair Water Italy S.r.l.
 Via Masaccio, 13
 56010 Lignano (PI)
 ITALY

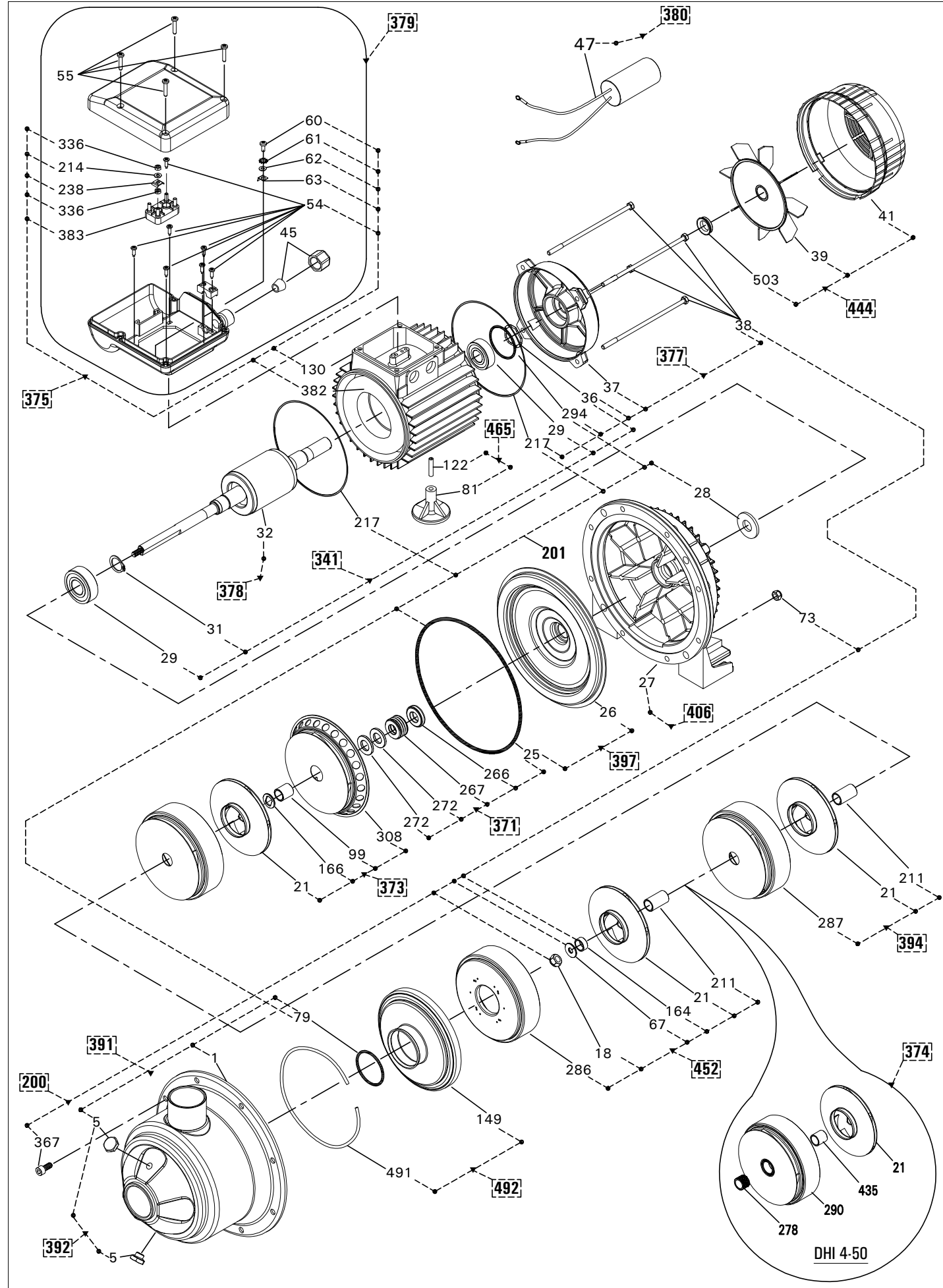
Drawn A. Bertola
 Approved M. Bernacca

Title DHI 2
 Date (dd/mm/yy) 12/07/2013

Dwg # DR130004_00

Sheet 1 of 1

This drawing is the absolute property of Pentair Water Italy S.r.l. It may not be reproduced in any form without the written permission of Pentair Water Italy S.r.l.



DHI 4-50

Pentair Water Italy S.r.l.
 Via Masaccio, 13
 56010 Lignano (PI)
 ITALY

Drawn A. Bertola
 Approved M. Bernacca

Title DHI 4
 Date (dd/mm/yy) 12/07/2014

Dwg # DR130005_00

Sheet 1 of 1

This drawing is the absolute property of Pentair Water Italy S.r.l. It may not be reproduced in any form without the written permission of Pentair Water Italy S.r.l.