

# NOCCHI EASYBOOST

## RESIDENTIAL - PRESSURE BOOSTER SET WITH PRESSURE SWITCH CONTROL

COMPACT, STURDY, HIGH HYDRAULIC EFFICIENCY, RELIABLE

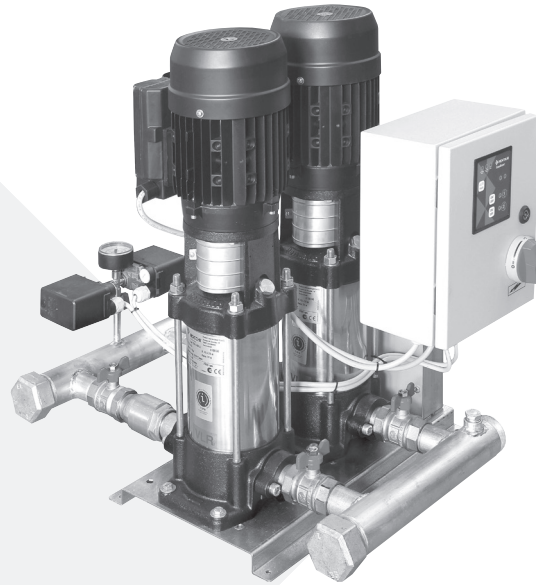
They are booster set for the automatic pressurization of water distribution systems with single phase power supply consisting of: 2 pumps, electrical panel, base, intake and delivery manifolds, pressure switches, pressure gauge and check valve in supply.

### DESCRIPTION OF OPERATION

The pumps are controlled by two pressure switches with adjustable settings, via an electrical panel with an electronic board for:

- the sequential start-up of the pumps
- the inversion of the start-up order
- the settings for protection against dry running
- timer (adjustable from 0 to 180")

When the mains pressure reaches the value for the closing of the electrical contact of pressure switch n.1, a pump starts. If the pressure continues to drop, once the value of the closing pressure of the second pressure switch has been reached, the other pump starts. When the value of the network pressure increases, the pressure switches open their contact causing the relative pump to stop. At the end of each cycle, the automatic inverter changes the starting order of the pumps (once pressure switch n.1 is associated to pump n.1; in the next cycle to pump n.2).



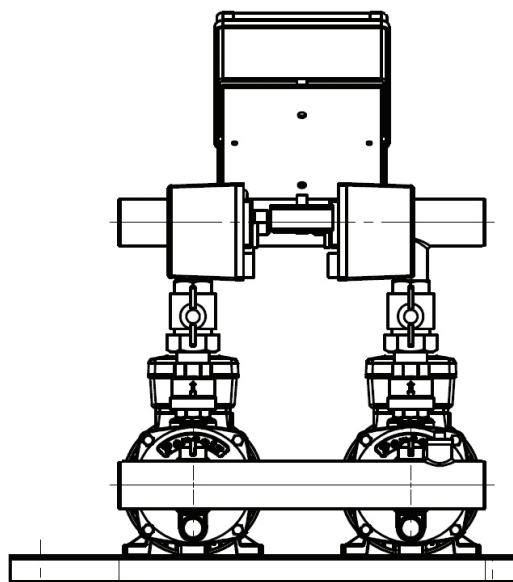
NUMBER OF PUMPS		MAXIMUM CAPACITY	
Main	Pilot	L/min	m <sup>3</sup> /h
2	-	from 200 to 480	from 12 to 28.8

# NOCCHI EASYBOOST

## PRESSURE BOOSTER SET WITH PRESSURE SWITCH CONTROL

### USAGE DATA

USAGE DATA	CB	DHR	MULTINOX VE +	PVM
Maximum capacity (m <sup>3</sup> /h)	16.8	28.8	25.2	17
Maximum head (m.c.a.)	60.5	63	140	110
Maximum operating pressure	9 bar	10 bar	14 bar	16 bar
Power supply VOLT.	1 - 230 / 3-400 V			
Frequency	50 Hz			
Degree of protection of control panel	IP55	IP54	IP55	IP54
Degree of protection of pump	IP44	IP55	IP44	IP55
Ambient temperature	40° C	50° C	50° C	50° C



#### PUMP

- n. 2 CB - Bi-rotating centrifugal horizontal axis
- n. 2 MULTINOX VE+ - Multicellular centrifugal vertical axis
- n. 2 DHR - Multicellular centrifugal vertical axis
- n. 2 PVM - Multicellular centrifugal vertical axis

#### SUCTION MANIFOLD

- n. 2 brass ball valves
- n. 1 sleeve for water load

#### DELIVERY MANIFOLD

- n. 2 brass ball valves
- n. 2 check valves
- n. 1 pressure gauge
- n. 2 pressure switches

#### BASE

- In galvanized metal

# NOCCHI EASYBOOST

## PRESSURE BOOSTER SET WITH PRESSURE SWITCH CONTROL

SINGLE PHASE ELECTRICAL PANEL

### ELECTRICAL PANEL

- Box in plastic material IP65
- Fuses
- Multifunctional electronic board with integrated transformer for the auxiliary circuit
- Start-up relay for each pump
- Protection against overload provided by the electronic board
- Trimmer to adjust the delay time from 0 to 180 seconds, after the opening of the contact of the pressure switch (for each pump)

### MAIN FUNCTIONS

- Cyclic inversion of the start-up order of the pumps after each cycle end.
- ON/OFF control of the level of the tank or the pressure of the supply duct by means of a float switch or a different differential pressure switch.
- Adjustable timer for the pumps

### SIGNALS AND CONTROLS

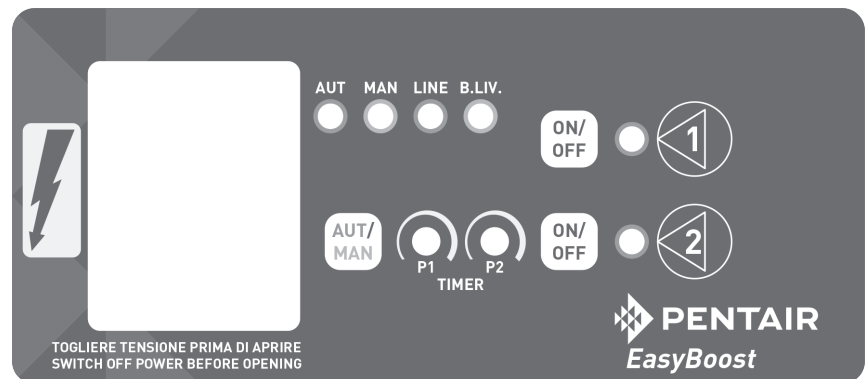
- Manual - Automatic button
- ON/OFF buttons for each pump
- LED indicating the presence of power
- LED indicating pump in operation
- LED indicating low level in the collection tank or pressure insufficient in the Suction manifold
- LEDs indicating manual or automatic operation
- BMS with contacts for each pump: pump on and overload

### EXTRENAL CONTROL DEVICES

- Two adjustable differential pressure switches ON/OFF

### EXTRENAL CONTROL DEVICES

- ON/OFF float switch, located in the water collection tank, or
- Reverse pressure switch inserted in the water supply duct (aqueduct)



# NOCCHI EASYBOOST

## PRESSURE BOOSTER SET WITH PRESSURE SWITCH CONTROL

### THREE-PHASE ELECTRICAL PANEL

---

#### ELECTRICAL PANEL

---

- Metal box IP54
- Main switch
- Electronic board
- Fuses and contactors for each pump
- Protection against overload provided by the electronic board
- Transformer with fuses for the auxiliary circuit

#### MAIN FUNCTIONS

---

- Cyclic inversion of the start-up order of the pumps after each cycle end.
- ON/OFF control of the level of the tank or the pressure of the supply duct by means of a float switch or a different differential pressure switch.
- Timer of the last pump settable from 0 to 180 seconds, after the opening of the pressure switch operation contact.

#### SIGNALS AND CONTROLS

---

- M-0-T button (Manual - 0 - Automatic)
- ON/OFF buttons for each pump
- LED indicating the presence of power
- LED indicating pump in operation
- LED indicating low level in the collection tank or pressure insufficient in the Suction manifold
- LED indicating overload
- LEDs indicating manual or automatic operation
- BMS with contacts for each pump: pump on, overload and no water alarm
- Communication RS232/RS485

#### EXTRENAL CONTROL DEVICES

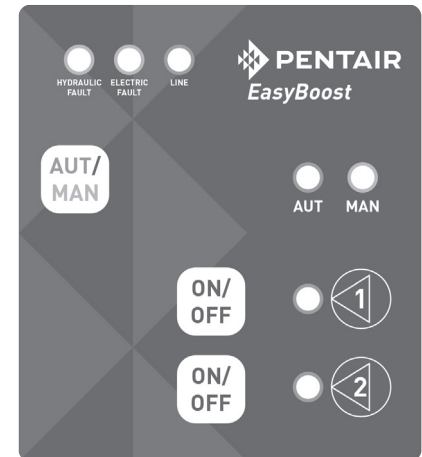
---

- Two adjustable differential pressure switches ON/OFF

#### EXTRENAL CONTROL DEVICES

---

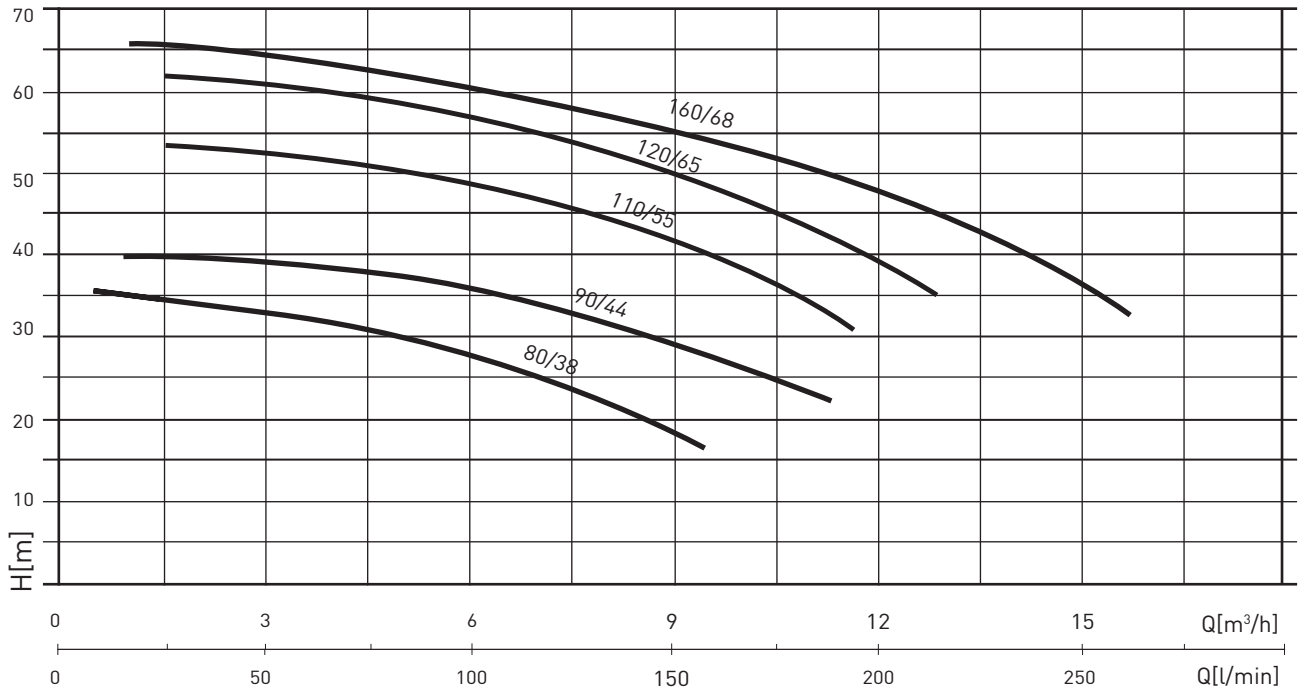
- ON/OFF float switch, located in the water collection tank, or
- Reverse pressure switch inserted in the water supply duct (aqueduct)



# NOCCHI EASYBOOST - CB

## PRESSURE BOOSTER SET WITH PRESSURE SWITCH CONTROL

### HYDRAULIC PERFORMANCE



### PERFORMANCE TABLE

MODEL	kW	VOLT. (V)	l/min m³/h	40	80	100	160	180	200	220	280
				2.4	4.8	6	9.6	10.8	12	13.2	16.8
EASY20/CB 80/38	2x0.55	1 - 230	m.c.a./m.c.w.	33	30	28	17				
		3 - 400									
EASY20/CB 90/44	2x0.74	1 - 230		40	37	35	27	21			
		3 - 400									
EASY20/CB 110/55	2x1.1	1 - 230		51	49	47	38	33	28		
		3 - 400									
EASY20/CB 120/65	2x1.5	1 - 230		61	59	57	50	47	40	33	
		3 - 400									
EASY20/CB 160/68	2x2.20	3 - 400			61	59	54	52	49	45	32

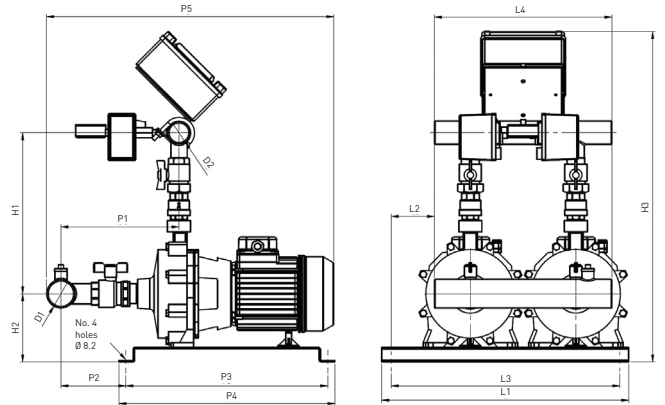
For VOLT. values, see the data of the reference pump

# NOCCHI EASYBOOST - CB

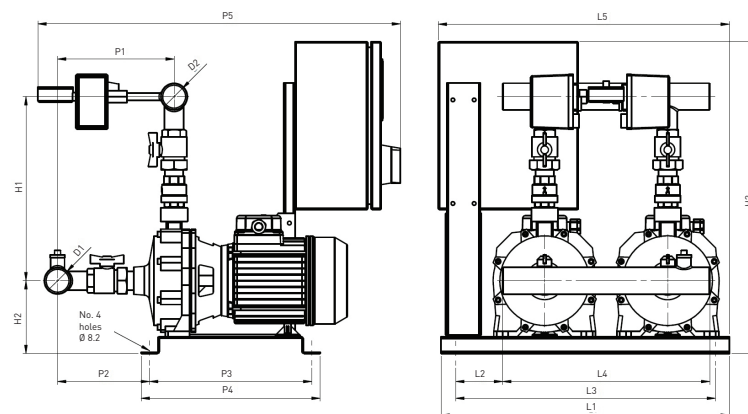
## PRESSURE BOOSTER SET WITH PRESSURE SWITCH CONTROL

### OVERALL DIMENSIONS AND WEIGHTS

#### SINGLE PHASE



#### THREE-PHASE



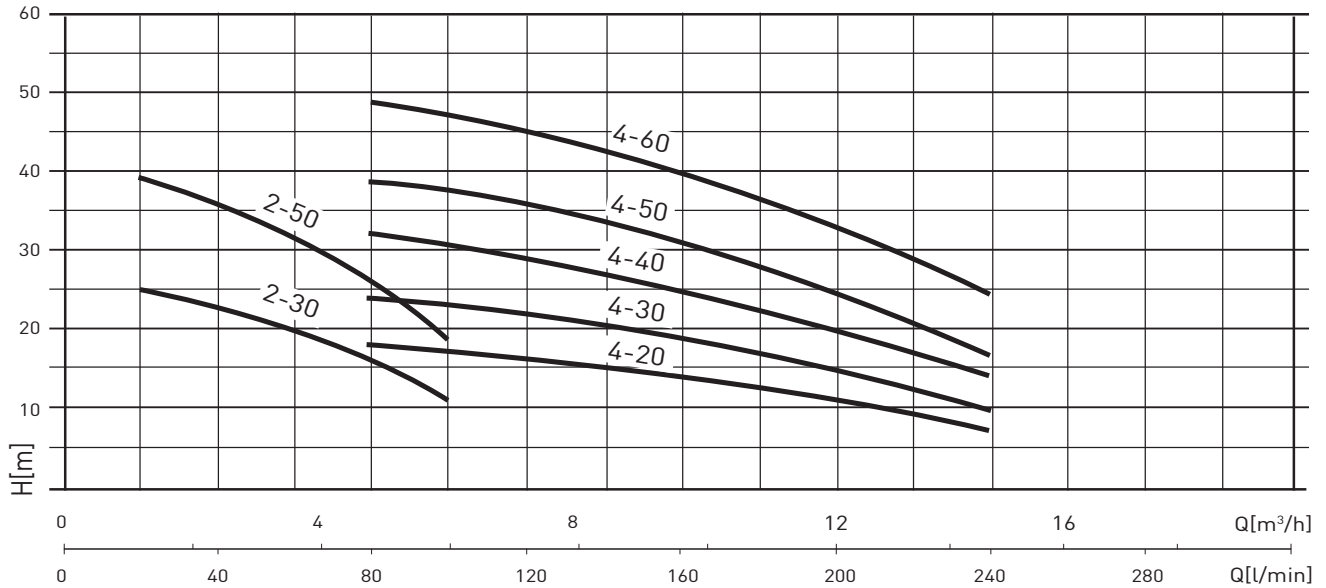
### OVERALL DIMENSIONS AND WEIGHTS

MODEL	Dimensions mm.														WEIGHTS (Kg)		
	L1	L2	L3	L4	L5	P1	P2	P3	P4	P5	H1	H2	H3	D1	D2	220V	400V
EASY20/CB 80/38M-GI	515	95	485	370	X	209	165	290	320	542	328	130	671	1-1/2"	1-1/2"	34	40
EASY20/CB 80/38T-GI	515	95	485	370	520	209	165	290	320	652	328	130	560	1-1/2"	1-1/2"	34	40
EASY20/CB 90/44M-GI	515	95	485	370	X	209	165	290	320	542	328	130	671	1-1/2"	1-1/2"	42	48
EASY20/CB 90/44T-GI	515	95	485	370	520	209	165	290	320	652	328	130	560	1-1/2"	1-1/2"	42	48
EASY20/CB 110/55M-GI	515	95	485	370	X	246	135	420	450	600	335	142	690	2"	1-1/2"	62	68
EASY20/CB 110/55T-GI	515	95	485	370	520	246	135	420	450	758	335	142	560	2"	1-1/2"	62	68
EASY20/CB 120/65M-GI	515	95	485	370	X	246	135	420	450	600	335	142	690	2"	1-1/2"		70
EASY20/CB 120/65T-GI	515	95	485	370	520	246	135	420	450	758	335	142	560	2"	1-1/2"		70
EASY20/CB 160/68T-GI	515	95	485	370	520	246	135	420	450	758	335	142	560	2"	1-1/2"	63	69

# NOCCHI EASYBOOST - DHR 2/4

## SINGLE PHASE AND THREE-PHASE PRESSURE BOOSTER SET WITH PRESSURE SWITCH CONTROL

### HYDRAULIC PERFORMANCE



### PERFORMANCE TABLE

MODEL	kW	VOLT. (V)	l/min m³ / h	20	60	80	100	160	200	240
				1.2	3.6	4.8	6	9.6	12	14.4
EASY20/DHR 2-30	2x0.30	1 ~ 230	m.c.a. / m.c.w.	25	19	16	12			
		3 ~ 400								
EASY20/DHR 2-50	2x0.50	1 ~ 230		39	30	23	16			
		3 ~ 400								
EASY20/DHR 4-20	2x0.37	1 ~ 230				17	16	13	11	7
		3 ~ 400								
EASY20/DHR 4-30	2x0.5	1 ~ 230				24	23	18	14	10
		3 ~ 400								
EASY20/DHR 4-40	2x0.70	1 ~ 230				32	30	25	20	14
		3 ~ 400								
EASY20/DHR 4-50	2x0.90	1 ~ 230				39	38	31	25	17
		3 ~ 400								
EASY20/DHR 4-60	2x1.2	1 ~ 230				49	47	41	34	25
		3 ~ 400								

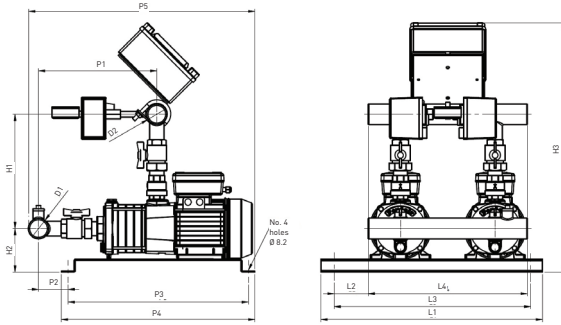
For VOLT. values, see the data of the reference pump

# NOCCHI EASYBOOST - DHR 2/4

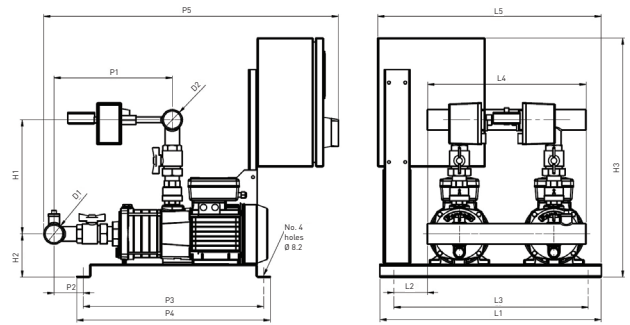
## SINGLE PHASE AND THREE-PHASE PRESSURE BOOSTER SET WITH PRESSURE SWITCH CONTROL

### OVERALL DIMENSIONS AND WEIGHTS

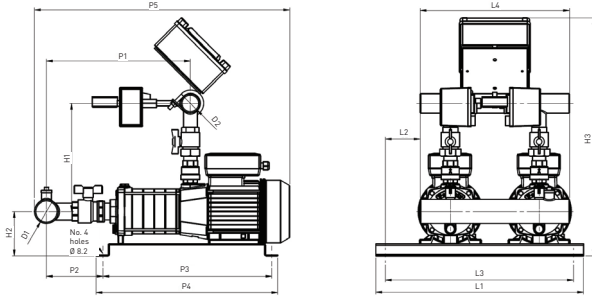
#### SINGLE PHASE - DHR 2



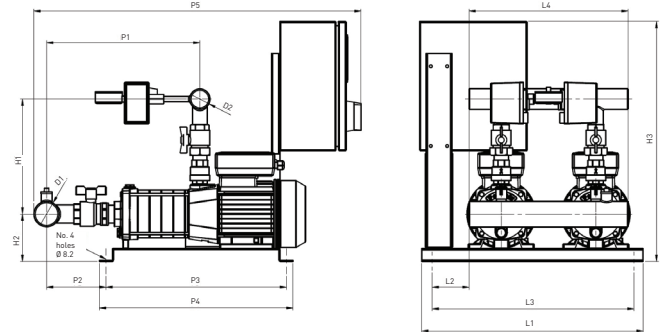
#### THREE-PHASE - DHR 2



#### SINGLE PHASE - DHR 4



#### THREE-PHASE - DHR 4



### OVERALL DIMENSIONS AND WEIGHTS

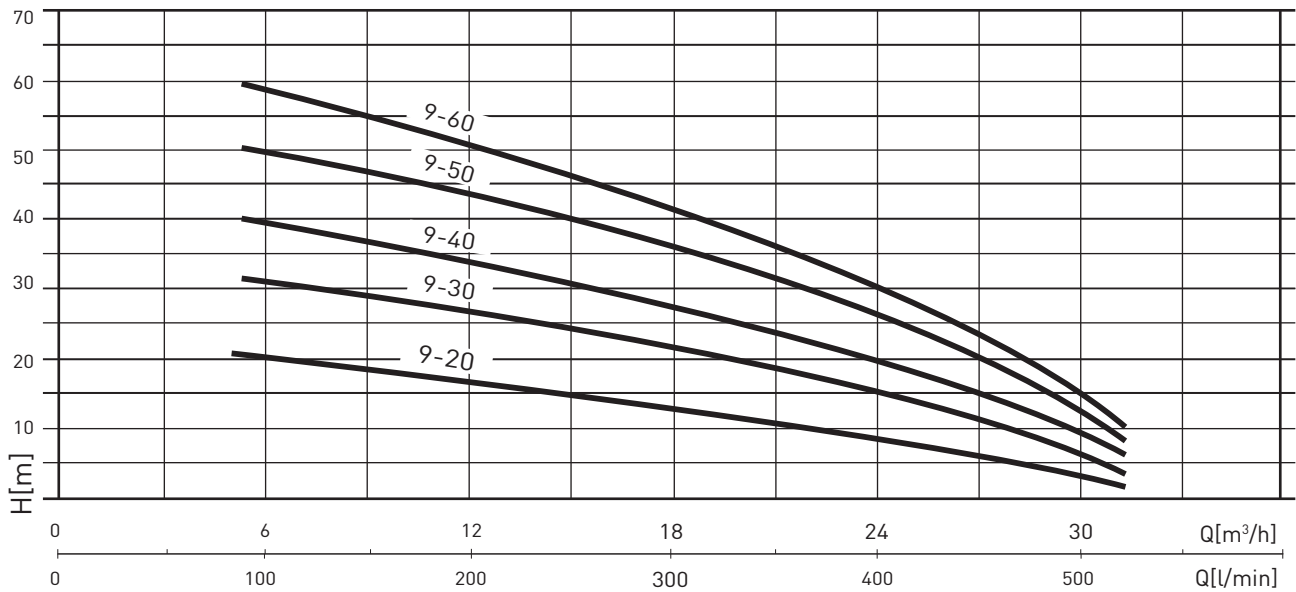
MODEL	Dimensions mm.														WEIGHTS (Kg)		
	L1	L2	L3	L4	L5	P1	P2	P3	P4	P5	H1	H2	H3	D1	D2	220V	400V
EASY20/DHR 2-30M-GI	515	95	485	370	X	311	105	420	450	720	265	100	578	1-1/2"	1-1/2"	32	38
EASY20/DHR 2-30T-GI	515	95	485	370	520	311	105	420	450	723	265	100	560	1-1/2"	1-1/2"	32	38
EASY20/DHR 2-50M-GI	515	95	485	370	X	275	69	420	450	685	265	100	578	1-1/2"	1-1/2"	35	41
EASY20/DHR 2-50T-GI	515	95	485	370	520	275	69	420	450	687	265	100	560	1-1/2"	1-1/2"	35	41
EASY20/DHR 4-20M-GI	515	95	485	370	X	357	30	420	450	524	267	110	590	2"	1-1/2"	34	40
EASY20/DHR 4-20T-GI	515	95	485	370	520	357	30	420	450	654	267	110	560	2"	1-1/2"	34	40
EASY20/DHR 4-30M-GI	515	95	485	370	X	357	57	420	450	551	267	110	590	2"	1-1/2"	34	40
EASY20/DHR 4-30T-GI	515	95	485	370	520	357	57	420	450	681	267	110	560	2"	1-1/2"	34	40
EASY20/DHR 4-40M-GI	515	95	485	370	X	357	84	420	450	578	267	110	590	2"	1-1/2"	36	42
EASY20/DHR 4-40T-GI	515	95	485	370	520	357	84	420	450	708	267	110	560	2"	1-1/2"	36	42
EASY20/DHR 4-50M-GI	515	95	485	370	X	357	111	420	450	605	267	110	590	2"	1-1/2"	40	46
EASY20/DHR 4-50T-GI	515	95	485	370	520	357	111	420	450	735	267	110	560	2"	1-1/2"	40	46
EASY20/DHR 4-60M-GI	515	95	485	370	X	357	138	420	450	632	267	110	590	2"	1-1/2"	46	52
EASY20/DHR 4-60T-GI	515	95	485	370	520	357	138	420	450	762	267	110	560	2"	1-1/2"	46	52



# NOCCHI EASYBOOST - DHR 9

## PRESSURE BOOSTER SET WITH PRESSURE SWITCH CONTROL

### HYDRAULIC PERFORMANCE



### PERFORMANCE TABLE

MODEL	kW	VOLT. (V)	l/min	80	160	240	320	400	480
			m³/h	4.8	9.6	14.4	19.2	24	28.8
EASY20/DHR 9-20	2x0.65	1 ~ 230	m.c.a. / m.c.w.	20	19	16	13	9	5
		3 ~ 400							
EASY20/DHR 9-30	2x0.95	1 ~ 230		31	29	26	21	16	9
		3 ~ 400							
EASY20/DHR 9-40	2x1.3	1 ~ 230		40	38	33	27	19	10
		3 ~ 400							
EASY20/DHR 9-50	2x1.6	1 ~ 230		51	49	43	36	26	14
		3 ~ 400							
EASY20/DHR 9-60	2x1.9	3 ~ 400		60	56	49	40	29	14

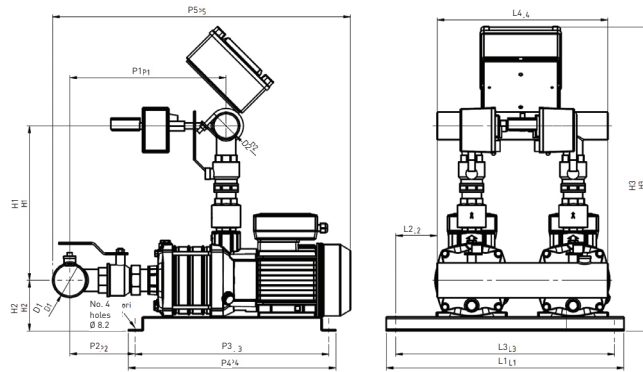
For VOLT. values, see the data of the reference pump

# NOCCHI EASYBOOST - DHR 9

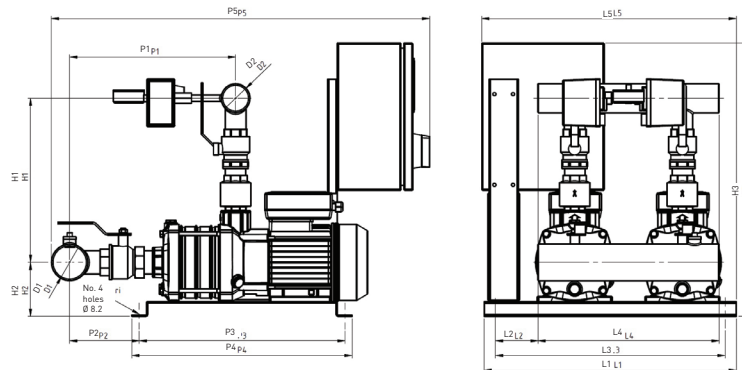
## PRESSURE BOOSTER SET WITH PRESSURE SWITCH CONTROL

### OVERALL DIMENSIONS AND WEIGHTS

#### SINGLE PHASE



#### THREE-PHASE

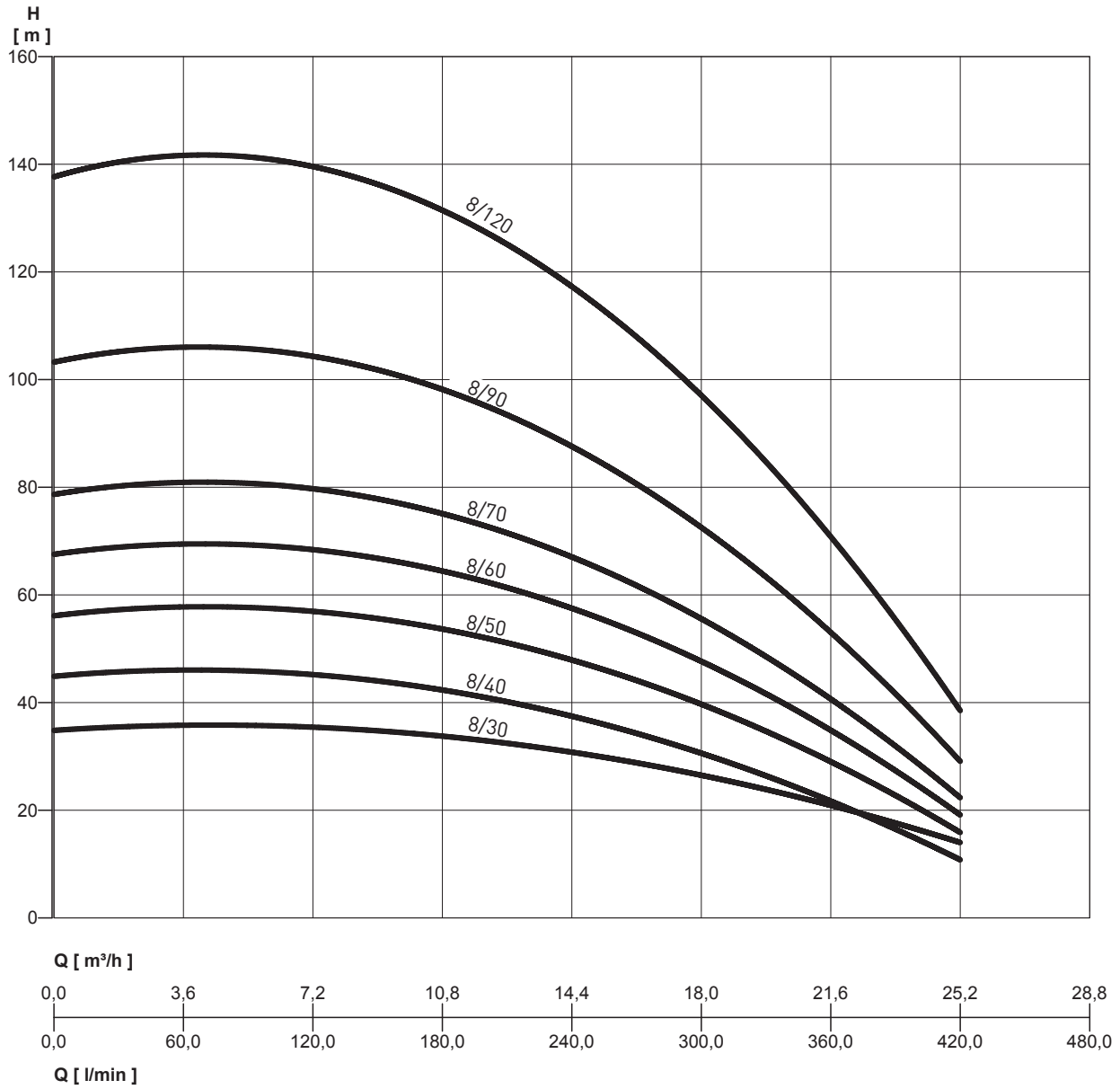


### OVERALL DIMENSIONS AND WEIGHTS

MODEL	Dimensions mm.															Weight (Kg)
	L1	L2	L3	L4	L5	P1	P2	P3	P4	P5	H1	H2	H3	D1	D2	
EASY20/DHR 9-20M-GI	515	95	485	370	X	280	82	420	450	588	110	335	660	2-1/2"	2"	54
EASY20/DHR 9-20T-GI	515	95	485	370	520	280	82	420	450	713	110	335	560	2-1/2"	2"	54
EASY20/DHR 9-30M-GI	515	95	485	370	X	280	82	420	450	588	110	335	660	2-1/2"	2"	55
EASY20/DHR 9-30T-GI	515	95	485	370	520	280	82	420	450	713	110	335	560	2-1/2"	2"	55
EASY20/DHR 9-40M-GI	515	95	485	370	X	310	112	420	450	618	110	335	660	2-1/2"	2"	57
EASY20/DHR 9-40T-GI	515	95	485	370	520	310	112	420	450	743	110	335	560	2-1/2"	2"	57
EASY20/DHR 9-50M-GI	515	95	485	370	X	340	142	420	450	648	110	335	660	2-1/2"	2"	62
EASY20/DHR 9-50T-GI	515	95	485	370	520	340	142	420	450	773	110	335	560	2-1/2"	2"	62
EASY20/DHR 9-60T-GI	515	95	485	370	520	370	172	420	450	803	110	335	560	2-1/2"	2"	65

# NOCCHI EASYBOOST 20 MULTINOX VE + PRESSURE BOOSTER SET WITH PRESSURE SWITCH CONTROL

## HYDRAULIC PERFORMANCE



PERFORMANCE TABLE

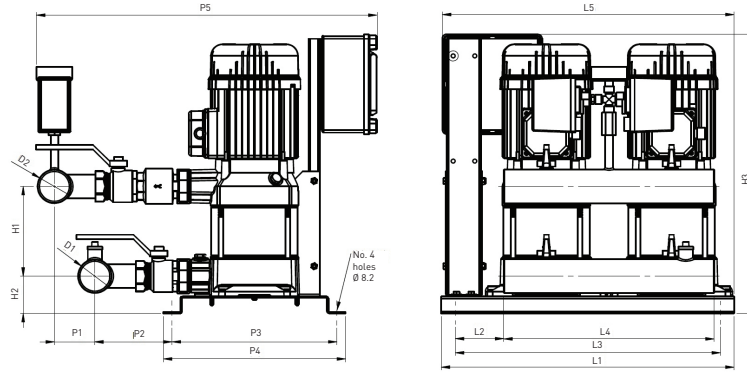
MODEL	P2	VOLT. (V)	l/min	0	60	120	180	240	300	360	420
	kW			0	3.6	7.2	10.8	14.4	18	21.6	25.2
EASY20 MULTINOX VE+ 8-30	2x1	1 - 230 3 - 400	m.c.a./m.c.w.	36	35	35	33	30	25	28	10
EASY20 MULTINOX VE+ 8-40	2x1.2	1 - 230 3 - 400		46	45	44	42	39	32	20	11
EASY20 MULTINOX VE+ 8-50	2x1.5	1 - 230 3 - 400		57	57	56	53	50	40	28	16
EASY20 MULTINOX VE+ 8-60	2x1.7	3 - 400		69	68	67	64	60	48	34	19
EASY20 MULTINOX VE+ 8-70	2x1.9	3 - 400		80	80	78	74	70	56	40	22
EASY20 MULTINOX VE+ 8-90	2x3	3 - 400		105	104	103	98	90	73	52	29
EASY20 MULTINOX VE+ 8-120	2x4	3 - 400		140	139	138	131	120	98	70	38

For VOLT. values, see the data of the reference pump

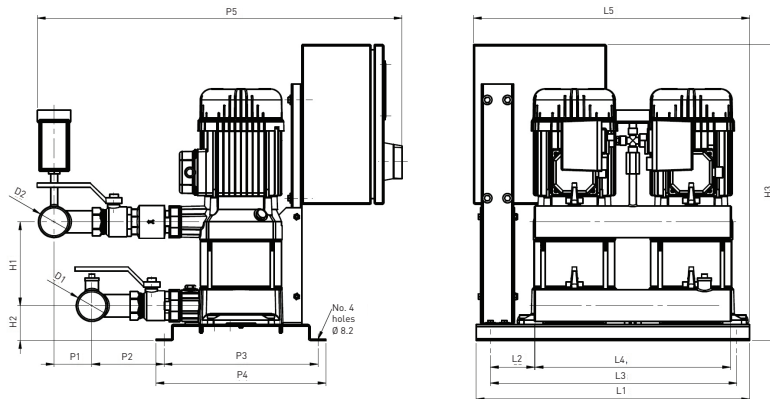
# NOCCHI EASYBOOST 20 MULTINOX VE + PRESSURE BOOSTER SET WITH PRESSURE SWITCH CONTROL

## OVERALL DIMENSIONS AND WEIGHTS

### SINGLE PHASE



### THREE-PHASE



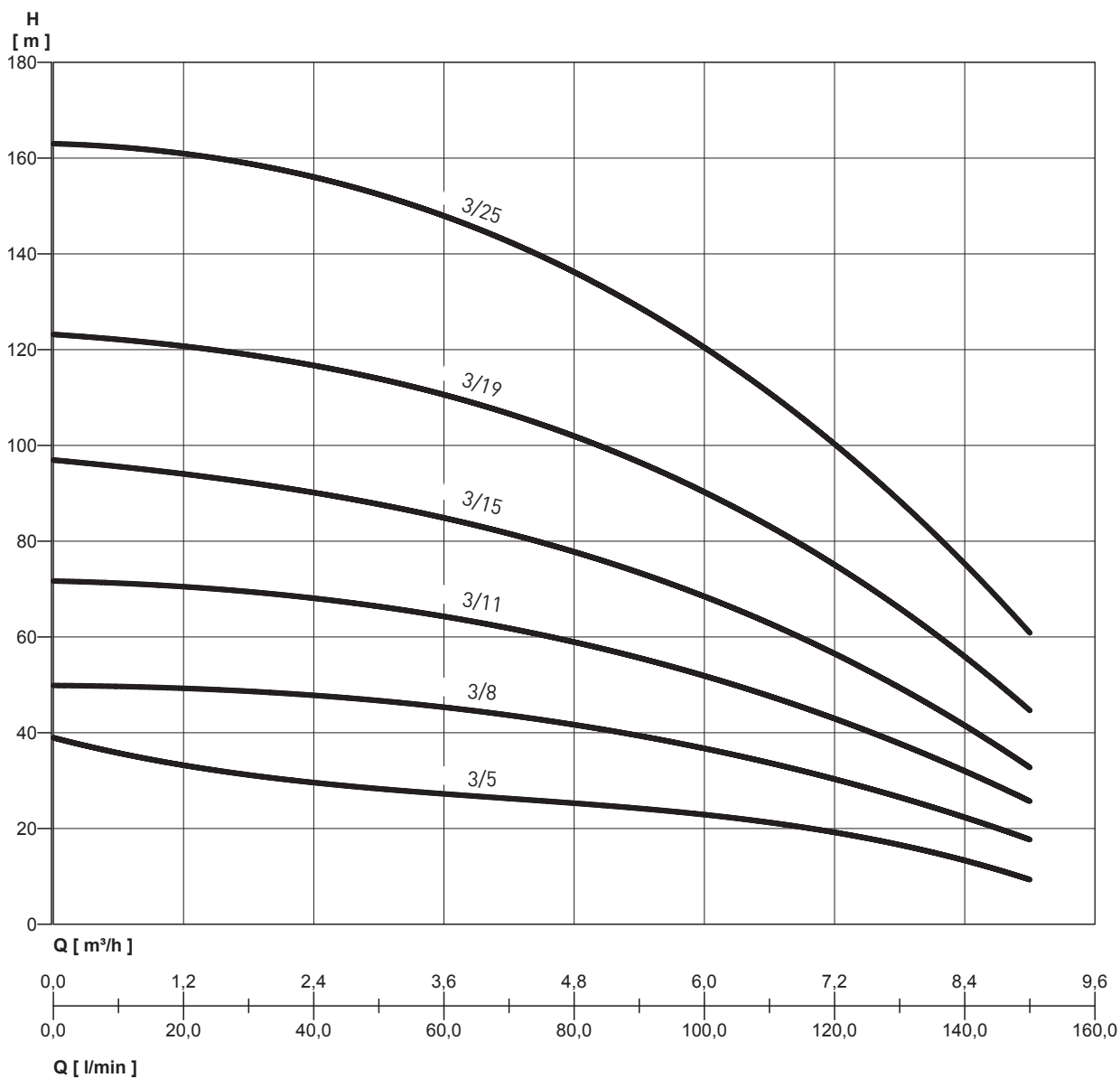
## OVERALL DIMENSIONS AND WEIGHTS

MODEL	Dimensions mm.															Weight (Kg)
	L1	L2	L3	L4	L5	P1	P2	P3	P4	P5	H1	H2	H3	D1	D2	
EASY20 MULTINOX VE+ 8-30 M	515	95	485	370	520	71	138	290	320	675	130	64	510	2"	2"	69
EASY20 MULTINOX VE+ 8-30 T	515	95	485	370	520	71	138	290	320	690	130	64	560	2"	2"	75
EASY20 MULTINOX VE+ 8-40 M	515	95	485	370	520	71	138	290	320	675	157	64	510	2"	2"	73
EASY20 MULTINOX VE+ 8-40 T	515	95	485	370	520	71	138	290	320	690	157	64	560	2"	2"	79
EASY20 MULTINOX VE+ 8-50 M	515	95	485	370	520	71	138	290	320	675	184	64	510	2"	2"	77
EASY20 MULTINOX VE+ 8-50 T	515	95	485	370	520	71	138	290	320	690	184	64	560	2"	2"	83
EASY20 MULTINOX VE+ 8-60 T	515	95	485	370	520	71	138	290	320	690	211	64	560	2"	2"	87
EASY20 MULTINOX VE+ 8-70 T	515	95	485	370	520	71	138	290	320	690	238	64	560	2"	2"	91
EASY20 MULTINOX VE+ 8-90 T	515	95	485	370	520	71	138	290	320	690	292	64	750	2"	2"	109
EASY20 MULTINOX VE+ 8-120 T	515	95	485	370	520	71	138	290	320	690	292	64	750	2"	2"	115

# NOCCHI EASYBOOST 20 PVM

## PRESSURE BOOSTER SET WITH PRESSURE SWITCH CONTROL

### HYDRAULIC PERFORMANCE



# NOCCHI EASYBOOST 20 PVM

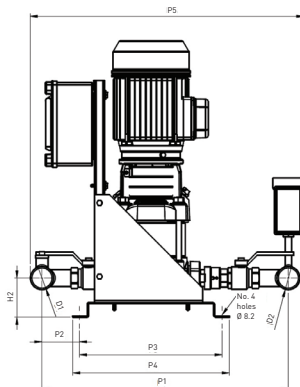
## PRESSURE BOOSTER SET WITH PRESSURE SWITCH CONTROL

### PERFORMANCE TABLE

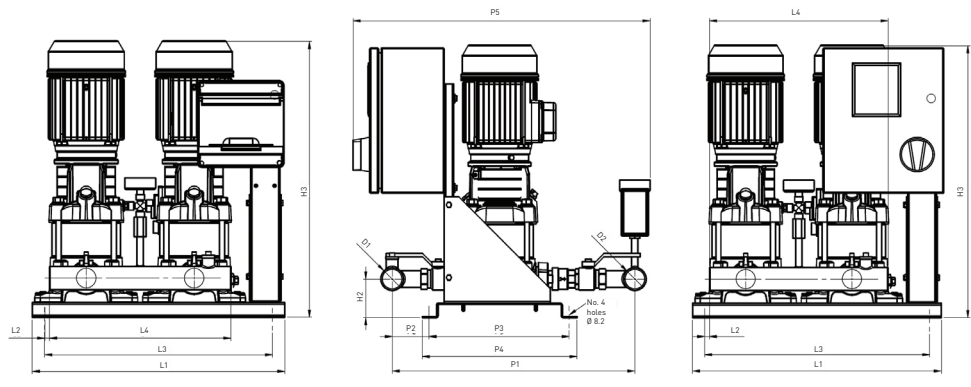
MODEL	P2	VOLT. (V)	l/min m <sup>3</sup> /h	0	20	40	60	80	100	120	140	150
	kW			0	1.2	2.4	3.6	4.8	6.0	7.2	8.4	9.0
EASY20 PVM 3-5	2x0.37	1 ~ 230 3 ~ 400	m.c.a./m.c.w.	40	31	30	28	26	23	18	13	10
EASY20 PVM 3-8	2x0.75	1 ~ 230 3 ~ 400		50	49	48	45	42	37	30	22	18
EASY20 PVM 3-11	2x1.1	1 ~ 230 3 ~ 400		72	70	68	64	60	52	42	32	26
EASY20 PVM 3-15	2x1.1	1 ~ 230 3 ~ 400		97	94	90	85	78	68	57	41	33
EASY20 PVM 3-19	2x1.5	1 ~ 230 3 ~ 400		123	121	117	110	102	90	76	55	45
EASY20 PVM 3-25	2x2.2	3 ~ 400		165	157	156	150	138	120	98	75	62

For VOLT. values, see the data of the reference pump

### SINGLE PHASE



### THREE-PHASE



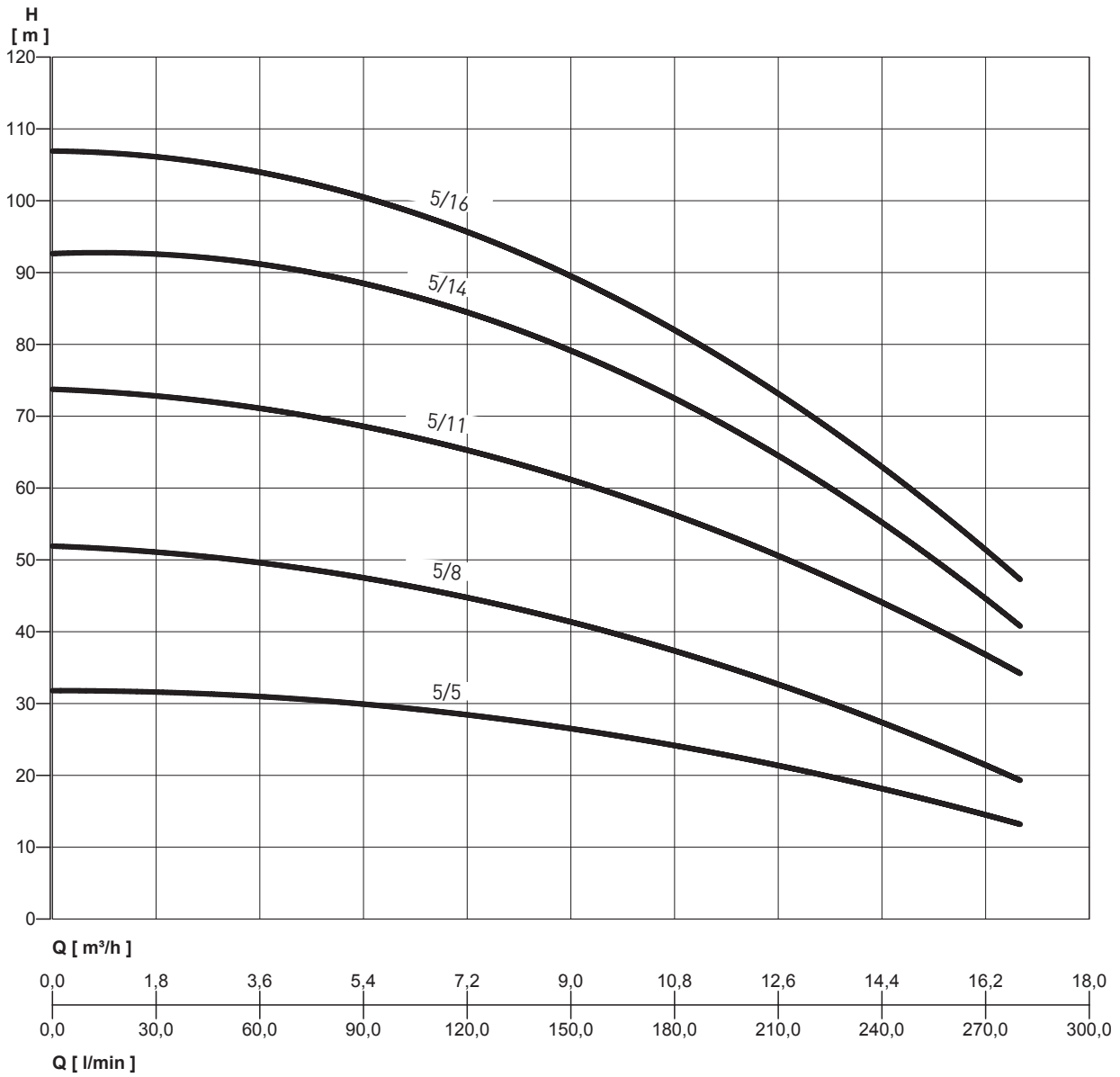
### OVERALL DIMENSIONS AND WEIGHTS

MODEL	Dimensions mm.													Weight (Kg)
	L1	L2	L3	L4	P1	P2	P3	P4	P5	H2	H3	D1	D2	
EASY20 PVM 3-5 M	515	95	485	370	508	80	290	320	562	80	510	1"1/2	1"1/2	64
EASY20 PVM 3-5 T	515	95	485	370	508	80	290	320	620	80	560	1"1/2	1"1/2	74
EASY20 PVM 3-8 M	515	95	485	370	508	80	290	320	562	80	510	1"1/2	1"1/2	74
EASY20 PVM 3-8 T	515	95	485	370	508	80	290	320	620	80	560	1"1/2	1"1/2	80
EASY20 PVM 3-11 M	515	95	485	370	508	80	290	320	562	80	580	1"1/2	1"1/2	90
EASY20 PVM 3-11 T	515	95	485	370	508	80	290	320	620	80	690	1"1/2	1"1/2	96
EASY20 PVM 3-15 M	515	95	485	370	508	80	290	320	562	80	655	1"1/2	1"1/2	94
EASY20 PVM 3-15 T	515	95	485	370	508	80	290	320	620	80	655	1"1/2	1"1/2	100
EASY20 PVM 3-19 M	515	95	485	370	508	80	290	320	562	80	775	1"1/2	1"1/2	108
EASY20 PVM 3-19 T	515	95	485	370	508	80	290	320	620	80	775	1"1/2	1"1/2	114
EASY20 PVM 3-25 T	515	95	485	370	508	80	290	320	620	80	825	1"1/2	1"1/2	130

# NOCCHI EASYBOOST 20 PVM

## PRESSURE BOOSTER SET WITH PRESSURE SWITCH CONTROL

### HYDRAULIC PERFORMANCE



# NOCCHI EASYBOOST 20 PVM

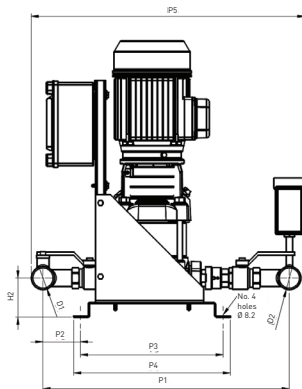
## PRESSURE BOOSTER SET WITH PRESSURE SWITCH CONTROL

### PERFORMANCE TABLE

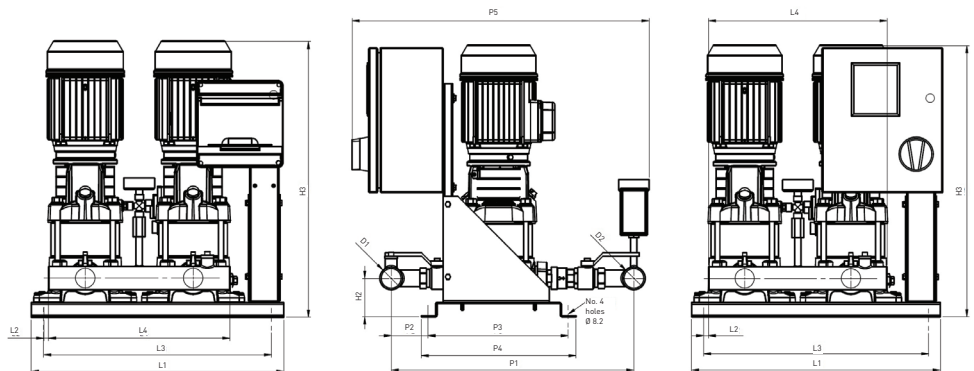
MODEL	P2	VOLT. (V)	l/min	0	80	120	160	200	240	280
	kW			m <sup>3</sup> /h	0	4.8	7.2	9.6	12	14.4
EASY20 PVM 5-5	2x0.75	1 ~ 230 3 ~ 400	m.c.a./m.c.w.	32	30	28	26	23	18	13
EASY20 PVM 5-8	2x1.1	1 ~ 230 3 ~ 400		52	48	45	40	34	28	19
EASY20 PVM 5-11	2x2.2	3 ~ 400		74	69	65	60	53	44	34
EASY20 PVM 5-14	2x2.2	3 ~ 400		93	89	84	77	68	56	40
EASY20 PVM 5-16	2x2.2	3 ~ 400		107	102	95	87	77	63	47

For VOLT. values, see the data of the reference pump

### SINGLE PHASE



### THREE-PHASE



### OVERALL DIMENSIONS AND WEIGHTS

MODEL	Dimensions mm.													Weight (Kg)
	L1	L2	L3	L4	P1	P2	P3	P4	P5	H2	H3	D1	D2	
EASY20 PVM 5-5 M	515	95	485	370	622	115	290	320	628	80	510	2"	2"	60
EASY20 PVM 5-5 T	515	95	485	370	622	115	290	320	697	80	560	2"	2"	70
EASY20 PVM 5-8 M	515	95	485	370	622	115	290	320	628	80	620	2"	2"	72
EASY20 PVM 5-8 T	515	95	485	370	622	115	290	320	697	80	620	2"	2"	80
EASY20 PVM 5-11 T	515	95	485	370	622	115	290	320	697	80	720	2"	2"	88
EASY20 PVM 5-14 T	515	95	485	370	622	115	290	320	697	80	765	2"	2"	100
EASY20 PVM 5-16 T	515	95	485	370	622	115	290	320	697	80	825	2"	2"	104